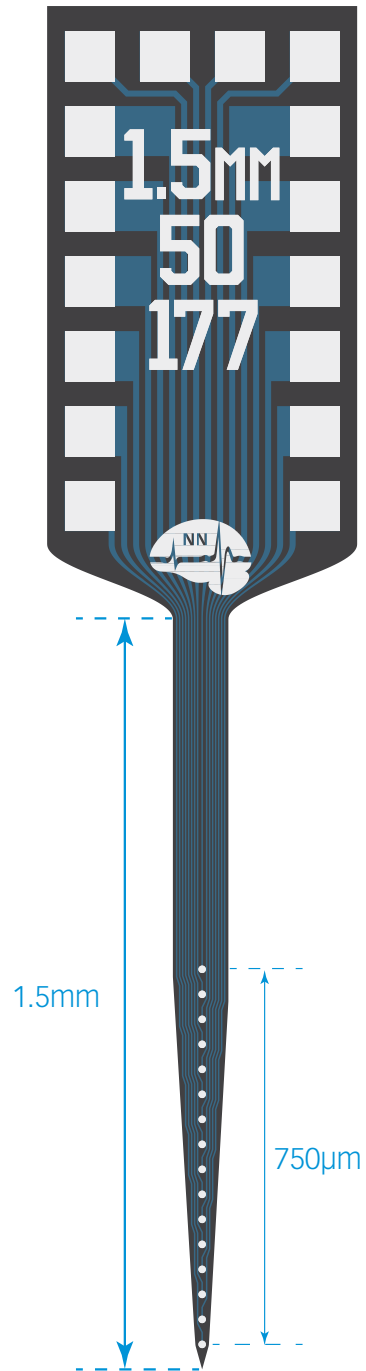


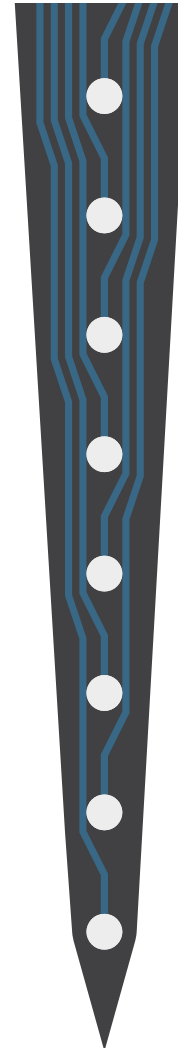


16- Channel Probes

A1x16-1.5mm-50-177



TIP DETAIL



available packages

ACUTE

A16

CHRONIC

CM16LP
H16_21mm
HC16_21mm
HZ16_21mm
Z16
X3-16
X3-H16_10 mm
X3-H16_21mm

OPTOGENETICS

OA16LP
OCM16LP
OH16LP (required for oDrive)
OZ16LP

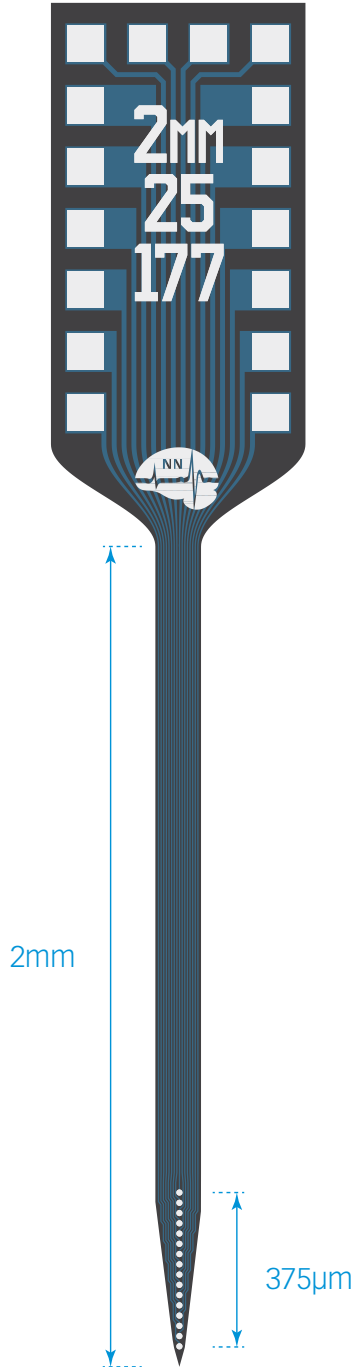
MR-COMPATIBLE

MR_CM16
MR_H16_21mm
MR_HC16_21mm

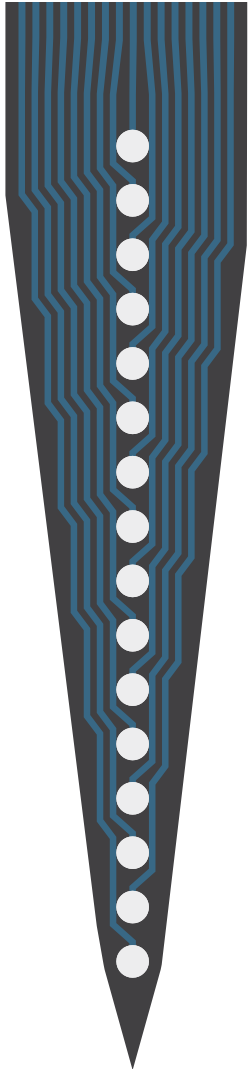
thickness

50 µm

A1x16-2mm-25-177



TIP DETAIL



available packages

ACUTE
A16

CHRONIC
CM16LP
H16_21mm
HC16_21mm
HZ16_21mm
Z16
X3-16
X3-H16_10 mm
X3-H16_21mm

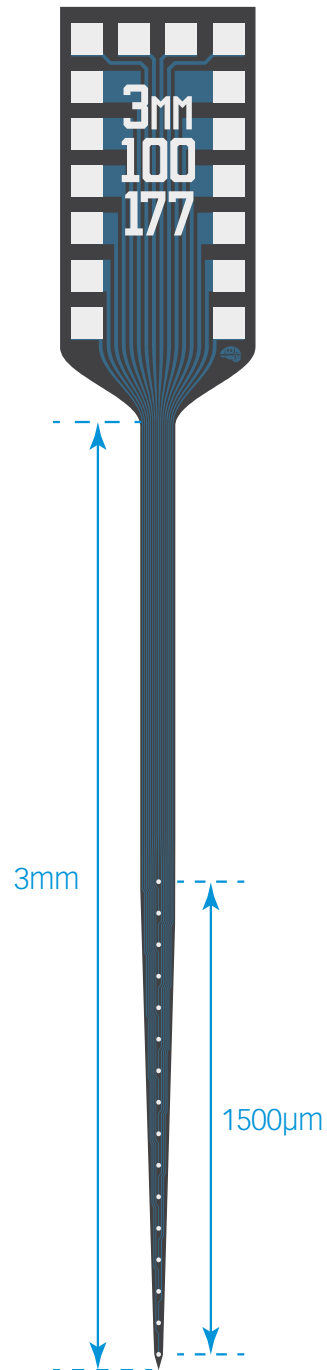
OPTOGENETICS
OA16LP
OCM16LP
OH16LP (required for oDrive)
OZ16LP

MR-COMPATIBLE
MR_CM16
MR_H16_21mm
MR_HC16_21mm

thickness

15 µm

A1x16-3mm-100-177



TIP DETAIL



available packages

ACUTE

A16

CHRONIC

CM16LP
H16_21mm
HC16_21mm
HZ16_21mm
Z16
X3-16
X3-H16_10 mm
X3-H16_21mm

OPTOGENETICS

OA16LP
OCM16LP
OH16LP (required for oDrive)
OZ16LP

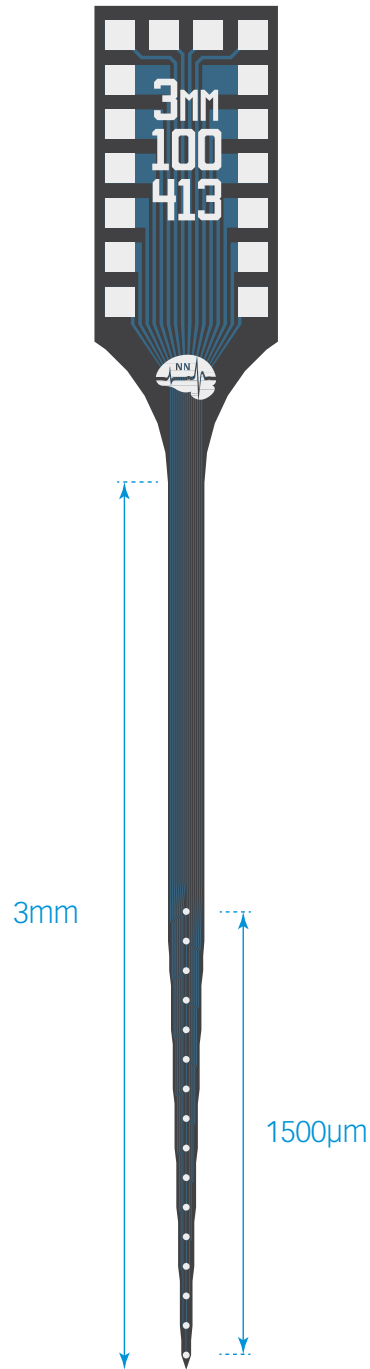
MR-COMPATIBLE

MR_CM16
MR_H16_21mm
MR_HC16_21mm

thickness

15 µm
50 µm

A1x16-3mm-100-413



TIP DETAIL



available packages

ACUTE

A16

CHRONIC

CM16LP
H16_21mm
HC16_21mm
HZ16_21mm
Z16
X3-16
X3-H16_10 mm
X3-H16_21mm

OPTOGENETICS

OA16LP
OCM16LP
OH16LP (required for oDrive)
OZ16LP

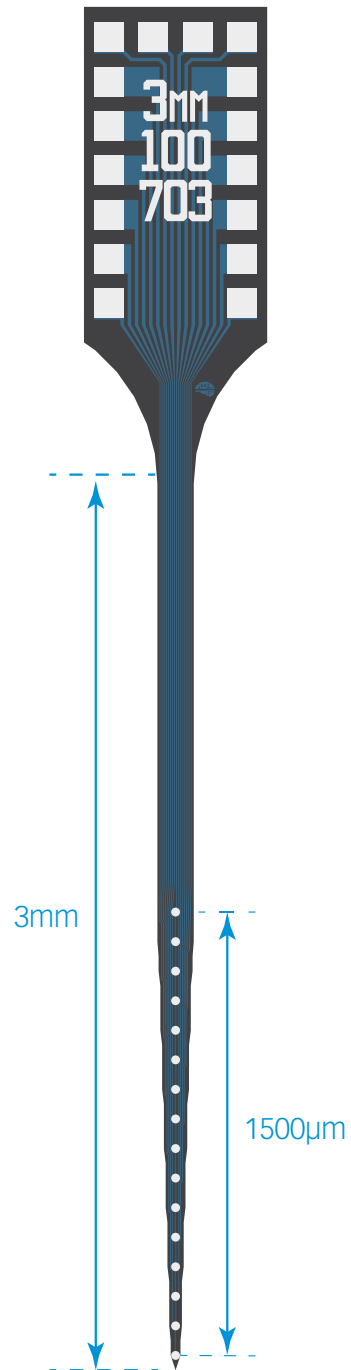
MR-COMPATIBLE

MR_CM16
MR_H16_21mm
MR_HC16_21mm

thickness

15 µm
50 µm

A1x16-3mm-100-703



TIP DETAIL



available packages

ACUTE

A16

CHRONIC

CM16LP
H16_21mm
HC16_21mm
HZ16_21mm
Z16
X3-16
X3-H16_10 mm
X3-H16_21mm

OPTOGENETICS

OA16LP
OCM16LP
OH16LP (required for oDrive)
OZ16LP

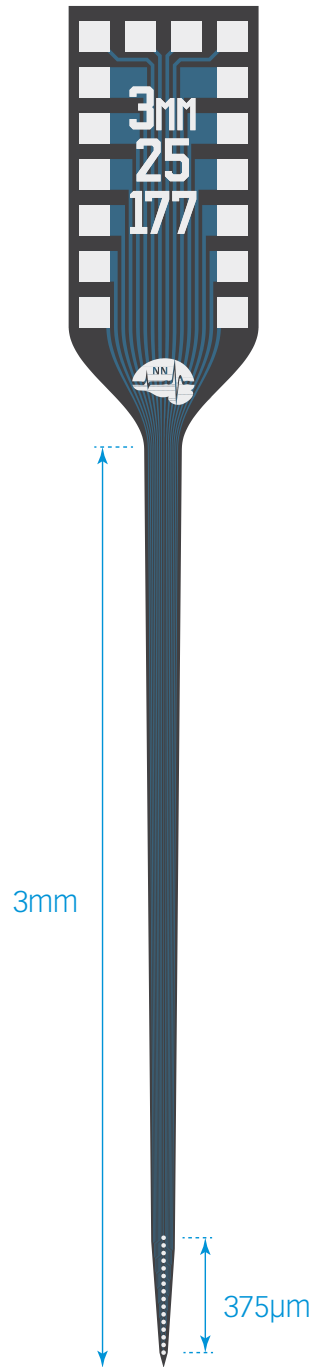
MR-COMPATIBLE

MR_CM16
MR_H16_21mm
MR_HC16_21mm

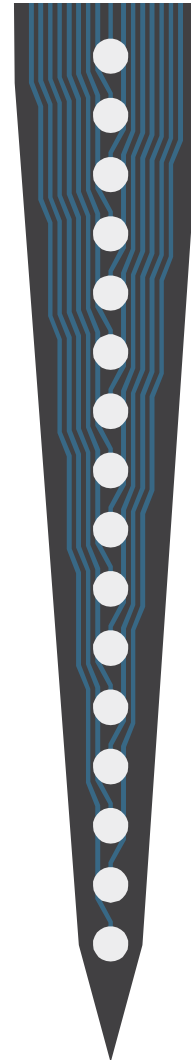
thickness

15 µm
50 µm

A1x16-3mm-25-177



TIP DETAIL



available packages

ACUTE

A16

CHRONIC

CM16LP
H16_21mm
HC16_21mm
HZ16_21mm
Z16
X3-16
X3-H16_10 mm
X3-H16_21mm

OPTOGENETICS

OA16LP
OCM16LP
OH16LP (required for oDrive)
OZ16LP

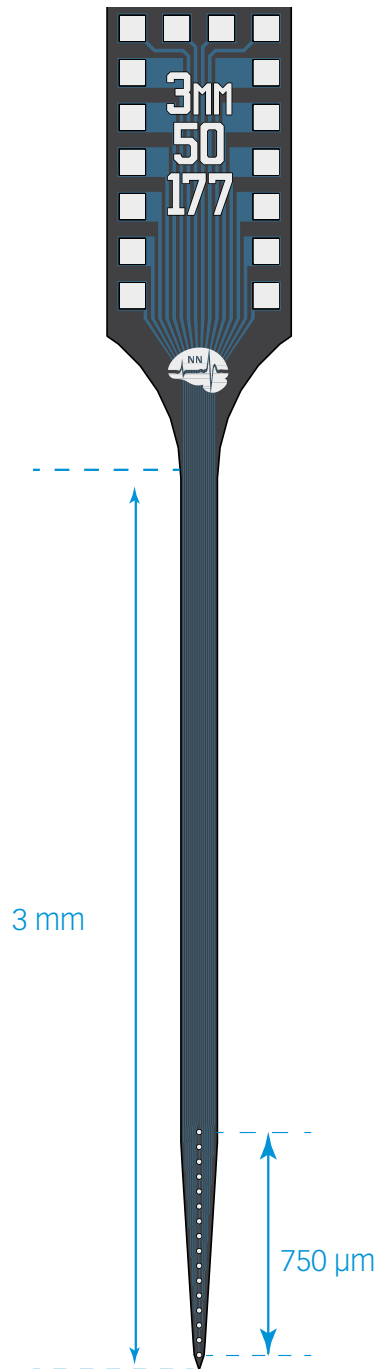
MR-COMPATIBLE

MR_CM16
MR_H16_21mm
MR_HC16_21mm

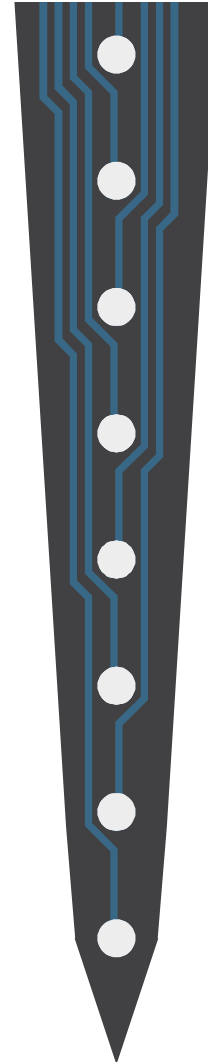
thickness

15 µm
50 µm

A1x16-3mm-50-177



TIP DETAIL



available packages

ACUTE

A16

CHRONIC

CM16LP
H16_21mm
HC16_21mm
HZ16_21mm
Z16
X3-16
X3-H16_10 mm
X3-H16_21mm

OPTOGENETICS

OA16LP
OCM16LP
OH16LP (required for oDrive)
OZ16LP

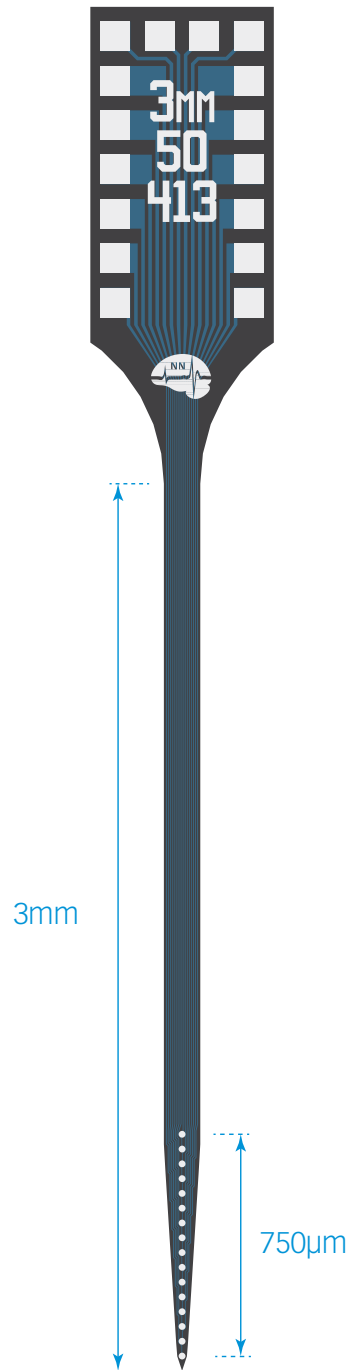
MR-COMPATIBLE

MR_CM16
MR_H16_21mm
MR_HC16_21mm

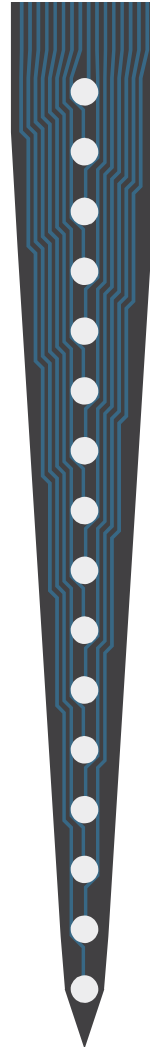
thickness

15 μ m
50 μ m

A1x16-3mm-50-413



TIP DETAIL



available packages

ACUTE

A16

CHRONIC

CM16LP
H16_21mm
HC16_21mm
HZ16_21mm
Z16
X3-16
X3-H16_10 mm
X3-H16_21mm

OPTOGENETICS

OA16LP
OCM16LP
OH16LP (required for oDrive)
OZ16LP

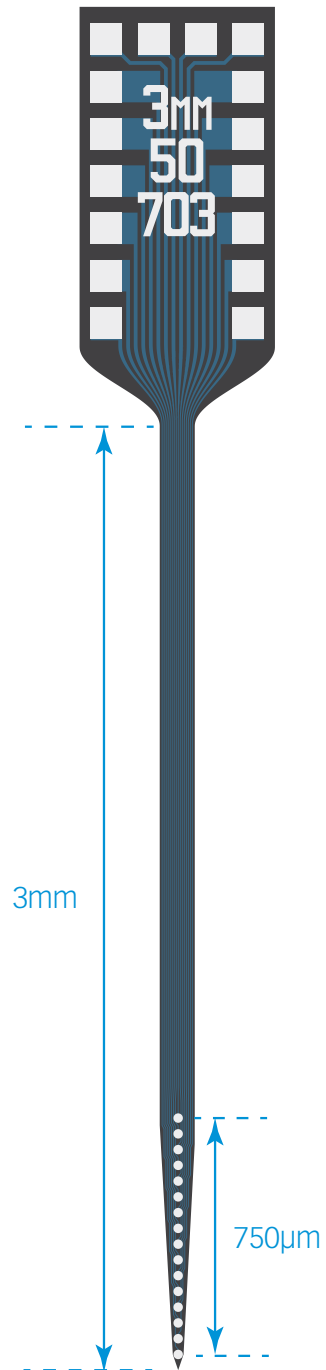
MR-COMPATIBLE

MR_CM16
MR_H16_21mm
MR_HC16_21mm

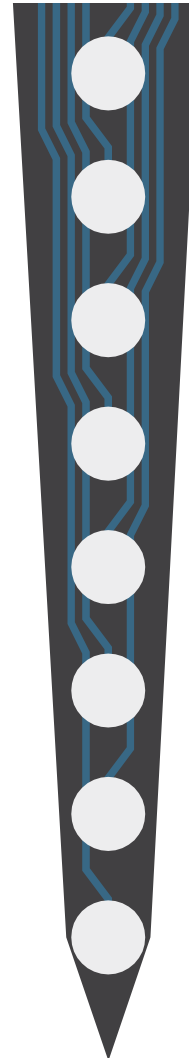
thickness

15 µm
50 µm

A1x16-3mm-50-703



TIP DETAIL



available packages

ACUTE

A16

CHRONIC

CM16LP
H16_21mm
HC16_21mm
HZ16_21mm
Z16
X3-16
X3-H16_10 mm
X3-H16_21mm

OPTOGENETICS

OA16LP
OCM16LP
OH16LP (required for oDrive)
OZ16LP

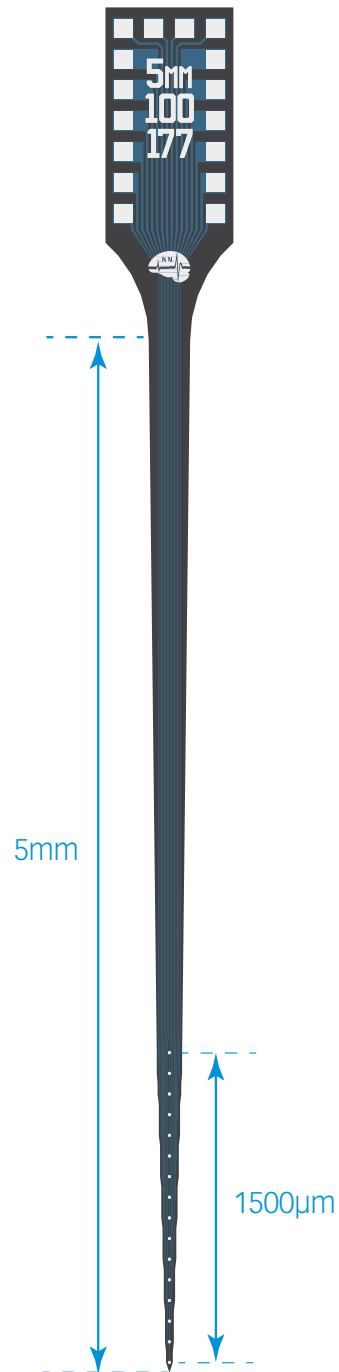
MR-COMPATIBLE

MR_CM16
MR_H16_21mm
MR_HC16_21mm

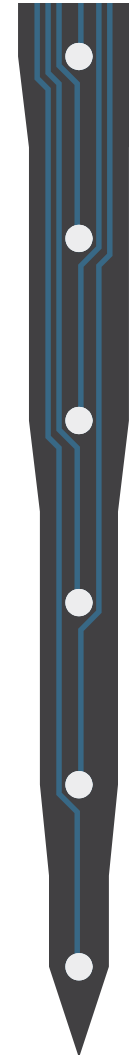
thickness

15 µm
50 µm

A1x16-5mm-100-177



TIP DETAIL



available packages

ACUTE

A16

CHRONIC

CM16LP
H16_21mm
HC16_21mm
HZ16_21mm
Z16
X3-16
X3-H16_10 mm
X3-H16_21mm

OPTOGENETICS

OA16LP
OCM16LP
OH16LP (required for oDrive)
OZ16LP

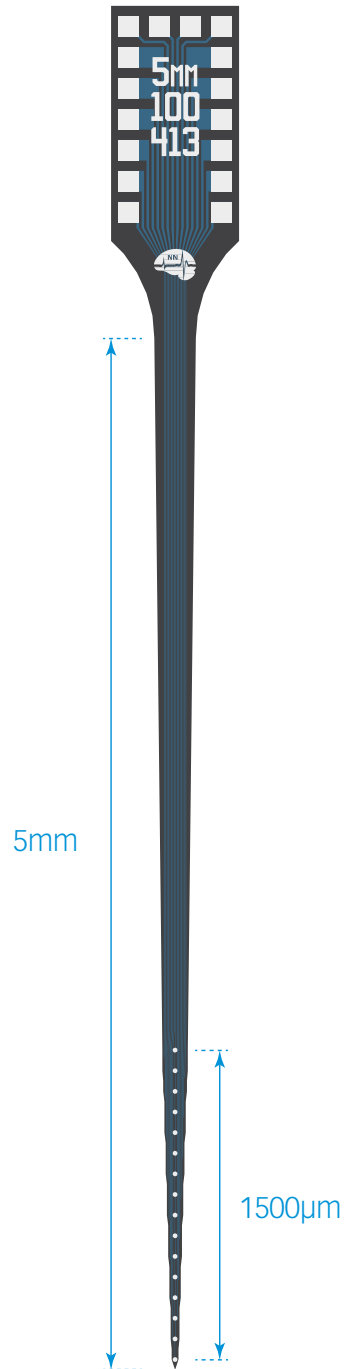
MR-COMPATIBLE

MR_CM16
MR_H16_21mm
MR_HC16_21mm

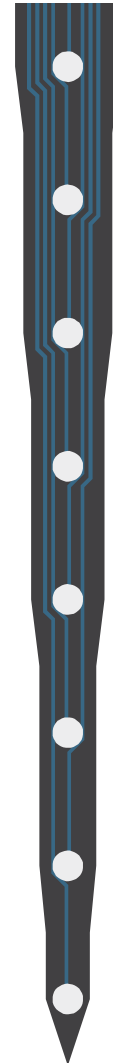
thickness

15 µm
50 µm

A1x16-5mm-100-413



TIP DETAIL



available packages

ACUTE

A16

CHRONIC

CM16LP
H16_21mm
HC16_21mm
HZ16_21mm
Z16
X3-16
X3-H16_10 mm
X3-H16_21mm

OPTOGENETICS

OA16LP
OCM16LP
OH16LP (required for oDrive)
OZ16LP

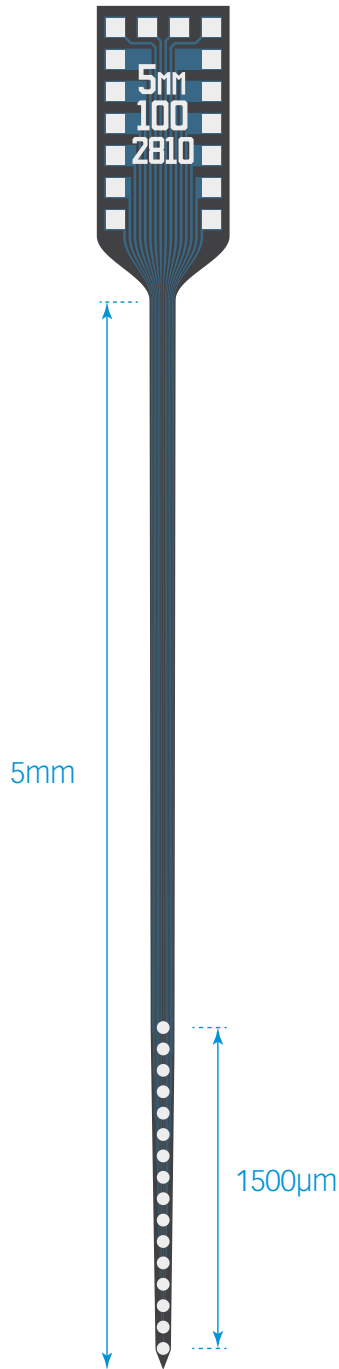
MR-COMPATIBLE

MR_CM16
MR_H16_21mm
MR_HC16_21mm

thickness

15 µm
50 µm

A1x16-5mm-100-60/72 (2810)



TIP DETAIL



available packages

ACUTE

A16

CHRONIC

CM16LP
H16_21mm
HC16_21mm
HZ16_21mm
Z16
X3-16
X3-H16_10 mm
X3-H16_21mm

OPTOGENETICS

OA16LP
OCM16LP
OH16LP (required for oDrive)
OZ16LP

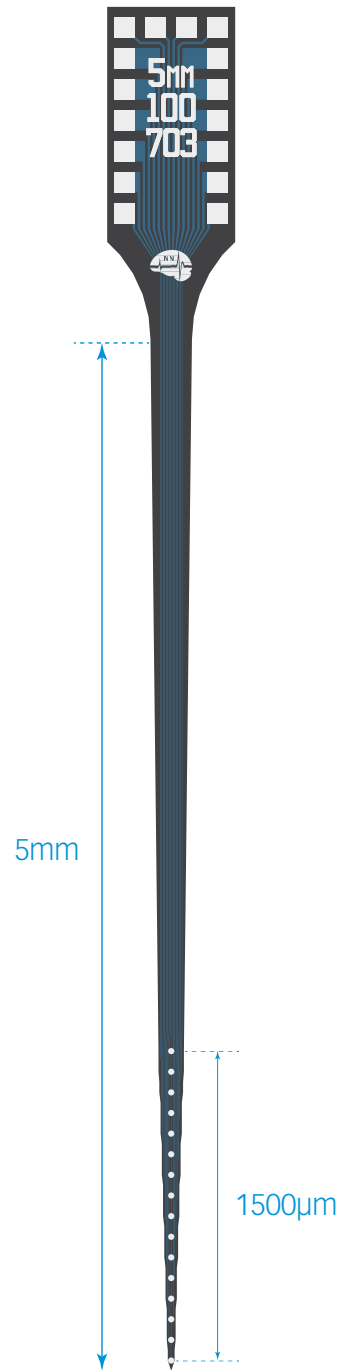
MR-COMPATIBLE

MR_CM16
MR_H16_21mm
MR_HC16_21mm

thickness

50 µm

A1x16-5mm-100-703



TIP DETAIL



available packages

ACUTE

A16

CHRONIC

CM16LP
H16_21mm
HC16_21mm
HZ16_21mm
Z16
X3-16
X3-H16_10 mm
X3-H16_21mm

OPTOGENETICS

OA16LP
OCM16LP
OH16LP (required for oDrive)
OZ16LP

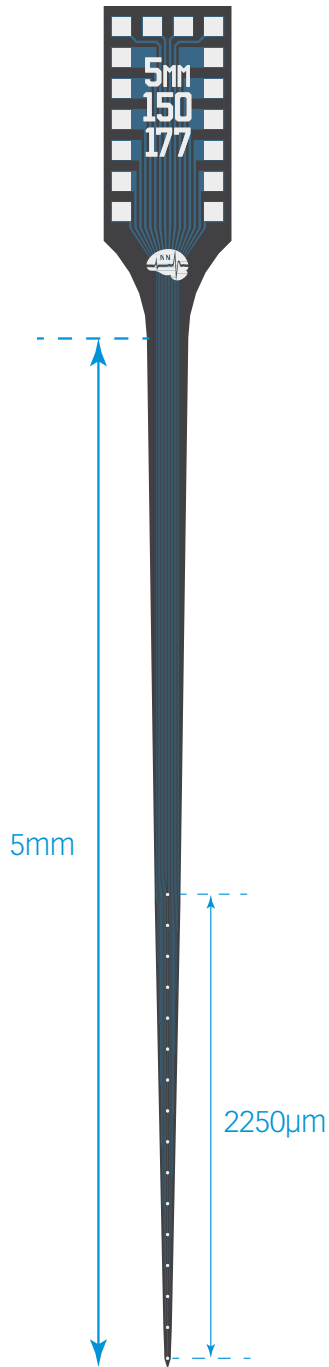
MR-COMPATIBLE

MR_CM16
MR_H16_21mm
MR_HC16_21mm

thickness

15 µm
50 µm

A1x16-5mm-150-177



TIP DETAIL



available packages

ACUTE

A16

CHRONIC

CM16LP
H16_21mm
HC16_21mm
HZ16_21mm
Z16
X3-16
X3-H16_10 mm
X3-H16_21mm

OPTOGENETICS

OA16LP
OCM16LP
OH16LP (required for oDrive)
OZ16LP

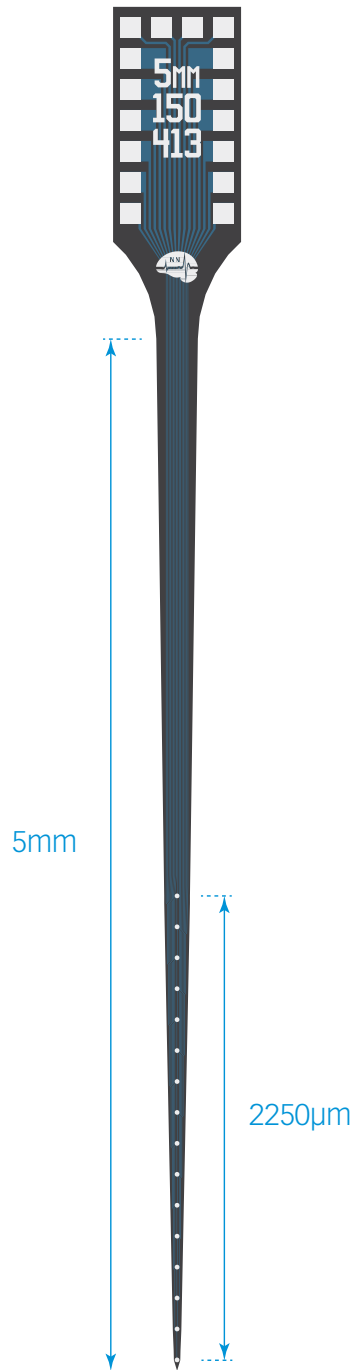
MR-COMPATIBLE

MR_CM16
MR_H16_21mm
MR_HC16_21mm

thickness

15 µm
50 µm

A1x16-5mm-150-413



TIP DETAIL



available packages

ACUTE

A16

CHRONIC

CM16LP
H16_21mm
HC16_21mm
HZ16_21mm
Z16
X3-16
X3-H16_10 mm
X3-H16_21mm

OPTOGENETICS

OA16LP
OCM16LP
OH16LP (required for oDrive)
OZ16LP

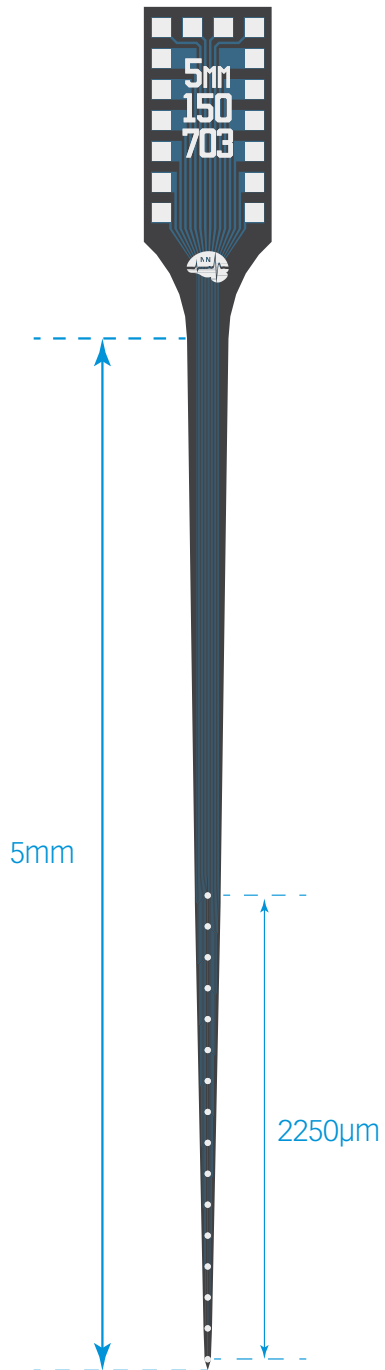
MR-COMPATIBLE

MR_CM16
MR_H16_21mm
MR_HC16_21mm

thickness

15 µm
50 µm

A1X16-5mm-150-703



TIP DETAIL



available packages

ACUTE

A16

CHRONIC

CM16LP
H16_21mm
HC16_21mm
HZ16_21mm
Z16
X3-16
X3-H16_10 mm
X3-H16_21mm

OPTOGENETICS

OA16LP
OCM16LP
OH16LP (required for oDrive)
OZ16LP

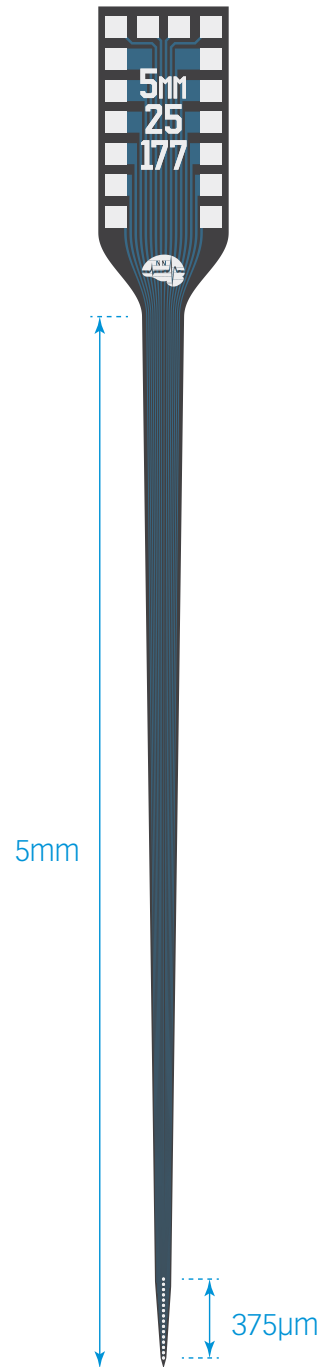
MR-COMPATIBLE

MR_CM16
MR_H16_21mm
MR_HC16_21mm

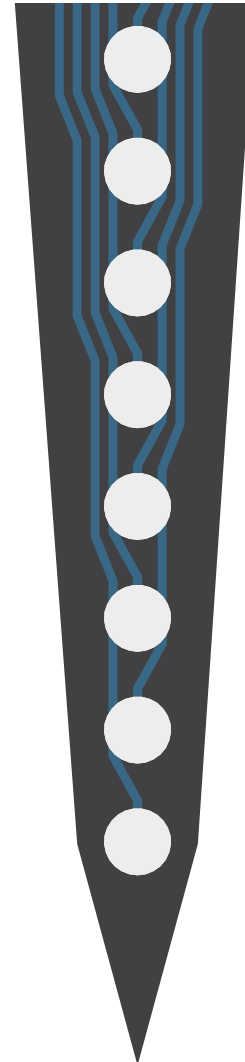
thickness

15 µm
50 µm

A1x16-5mm-25-177



TIP DETAIL



available packages

ACUTE

A16

CHRONIC

CM16LP
H16_21mm
HC16_21mm
HZ16_21mm
Z16
X3-16
X3-H16_10 mm
X3-H16_21mm

OPTOGENETICS

OA16LP
OCM16LP
OH16LP (required for oDrive)
OZ16LP

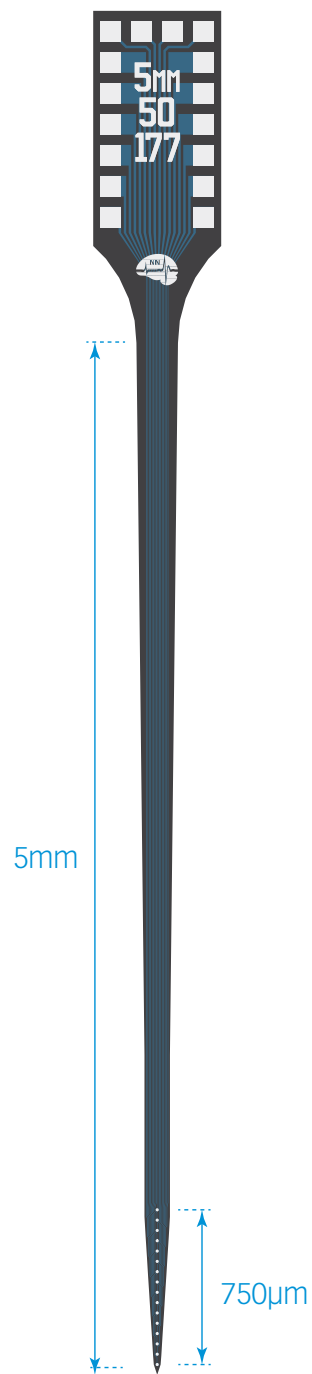
MR-COMPATIBLE

MR_CM16
MR_H16_21mm
MR_HC16_21mm

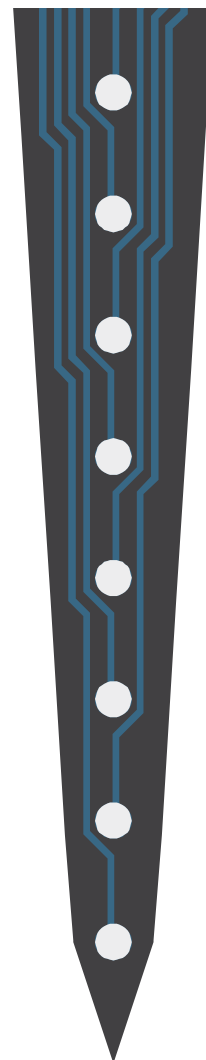
thickness

15 µm
50 µm

A1x16-5mm-50-177



TIP DETAIL



available packages

ACUTE

A16

CHRONIC

CM16LP
H16_21mm
HC16_21mm
HZ16_21mm
Z16
X3-16
X3-H16_10 mm
X3-H16_21mm

OPTOGENETICS

OA16LP
OCM16LP
OH16LP (required for oDrive)
OZ16LP

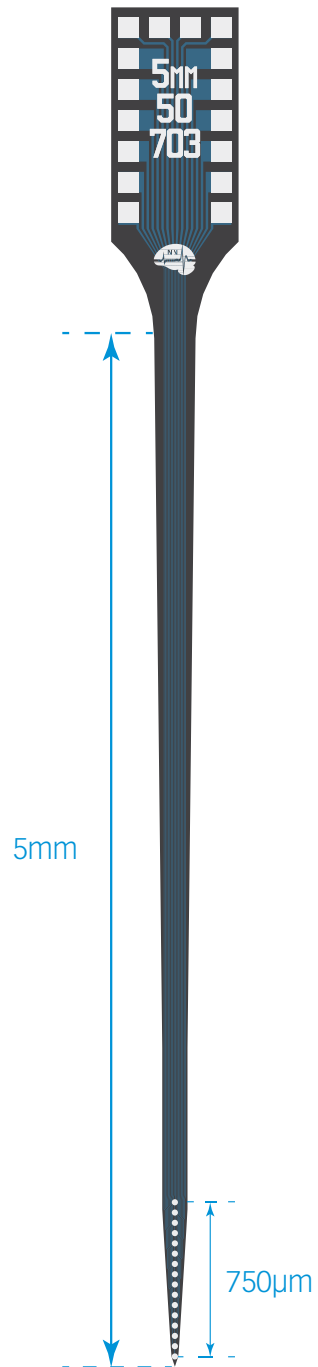
MR-COMPATIBLE

MR_CM16
MR_H16_21mm
MR_HC16_21mm

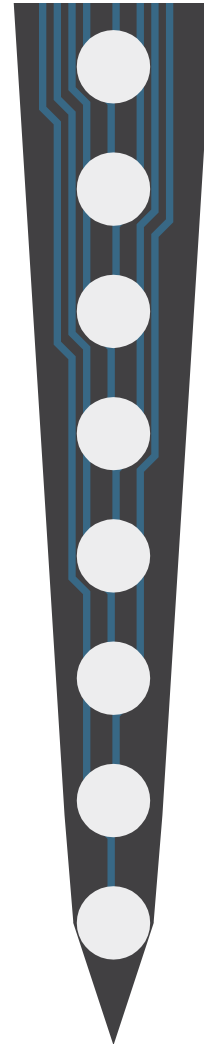
thickness

15 µm
50 µm

A1x16-5mm-50-703



TIP DETAIL



available packages

ACUTE

A16

CHRONIC

CM16LP
H16_21mm
HC16_21mm
HZ16_21mm
Z16
X3-16
X3-H16_10 mm
X3-H16_21mm

OPTOGENETICS

OA16LP
OCM16LP
OH16LP (required for oDrive)
OZ16LP

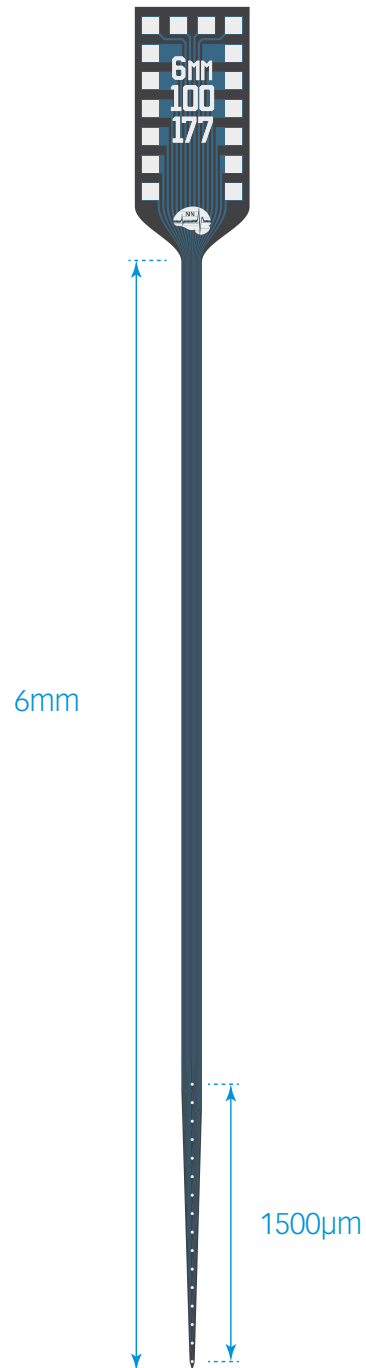
MR-COMPATIBLE

MR_CM16
MR_H16_21mm
MR_HC16_21mm

thickness

15 µm
50 µm

A1x16-6mm-100-177



TIP DETAIL



available packages

ACUTE

A16

CHRONIC

CM16LP
H16_21mm
HC16_21mm
HZ16_21mm
Z16
X3-16
X3-H16_10 mm
X3-H16_21mm

OPTOGENETICS

OA16LP
OCM16LP
OH16LP (required for oDrive)
OZ16LP

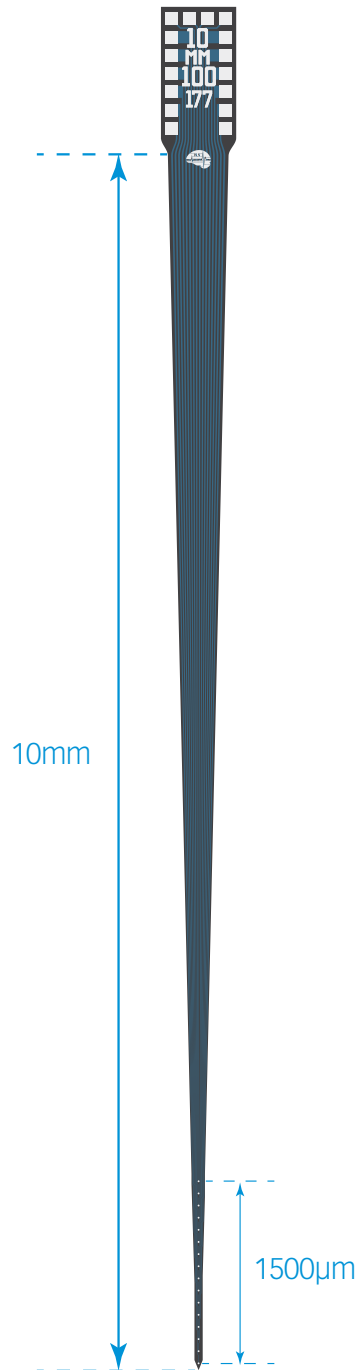
MR-COMPATIBLE

MR_CM16
MR_H16_21mm
MR_HC16_21mm

thickness

15 µm

A1x16-10mm-100-177



TIP DETAIL



available packages

ACUTE

A16

CHRONIC

CM16LP
H16_21mm
HC16_21mm
HZ16_21mm
Z16
X3-16
X3-H16_10 mm
X3-H16_21mm

OPTOGENETICS

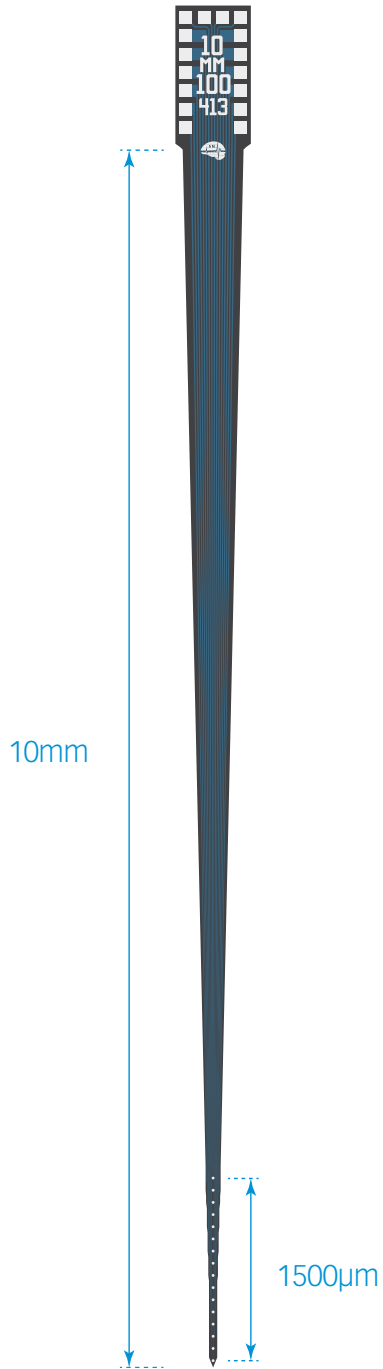
OA16LP
OCM16LP
OH16LP (required for oDrive)
OZ16LP

MR-COMPATIBLE

MR_CM16
MR_H16_21mm
MR_HC16_21mm

thickness

15 µm
50 µm



TIP DETAIL



A1x16-10mm-100-413

available
packages

ACUTE

A16

CHRONIC

CM16LP
H16_21mm
HC16_21mm
HZ16_21mm
Z16
X3-16
X3-H16_10 mm
X3-H16_21mm

OPTOGENETICS

OA16LP
OCM16LP
OH16LP (required for
oDrive)
OZ16LP

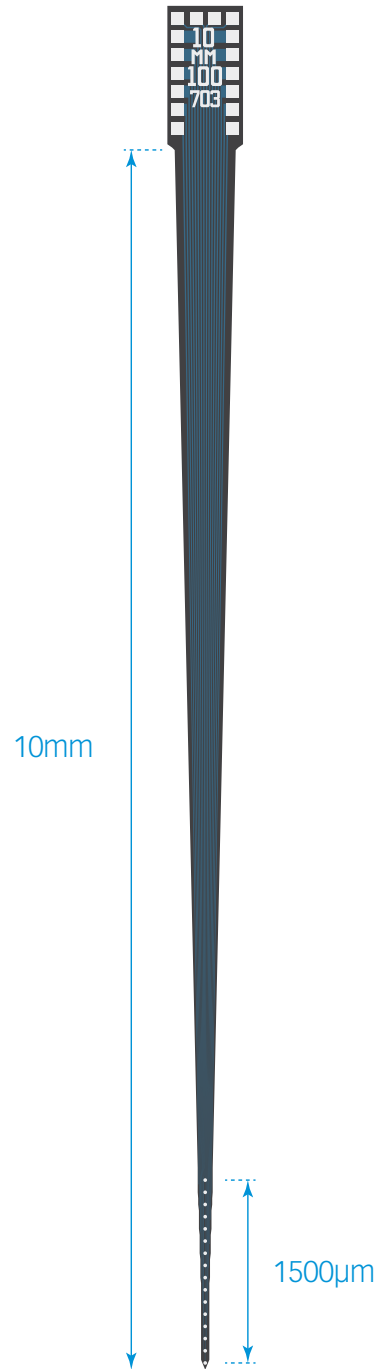
MR-COMPATIBLE

MR_CM16
MR_H16_21mm
MR_HC16_21mm

thickness

50 µm

A1x16-10mm-100-703



TIP DETAIL



available packages

ACUTE

A16

CHRONIC

CM16LP
H16_21mm
HC16_21mm
HZ16_21mm
Z16
X3-16
X3-H16_10 mm
X3-H16_21mm

OPTOGENETICS

OA16LP
OCM16LP
OH16LP (required for
oDrive)
OZ16LP

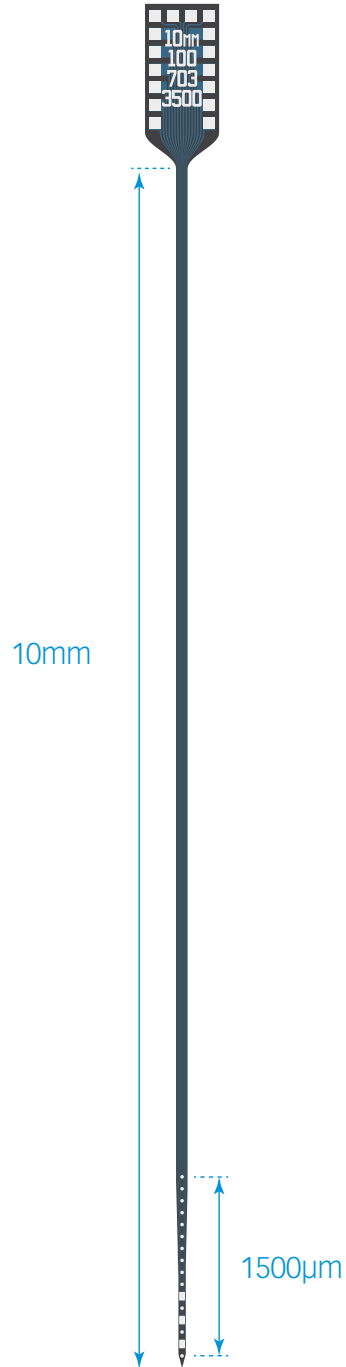
MR-COMPATIBLE

MR_CM16
MR_H16_21mm
MR_HC16_21mm

thickness

15 µm

A1x16-10mm-100-703-3500



TIP DETAIL



available packages

ACUTE
A16

CHRONIC
CM16LP
H16_21mm
HC16_21mm
HZ16_21mm
Z16
X3-16
X3-H16_10 mm
X3-H16_21mm

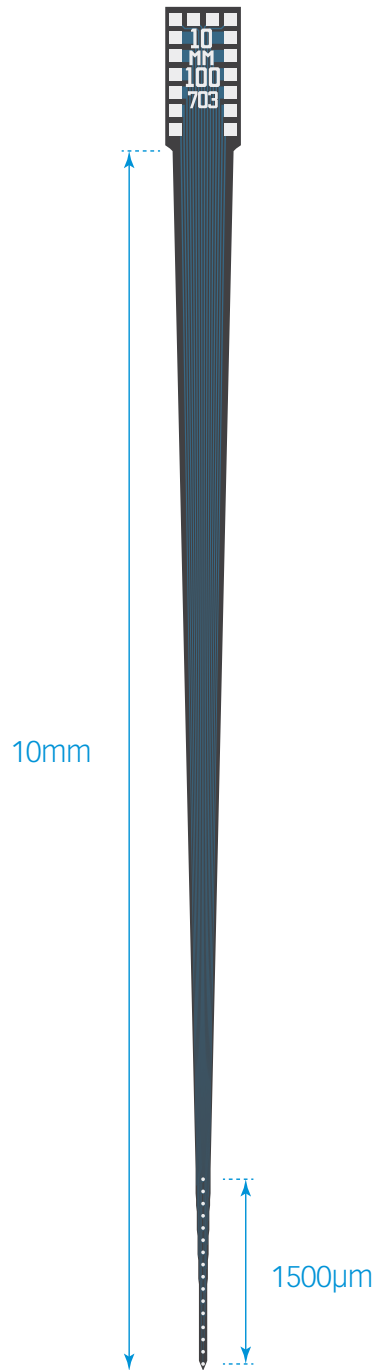
OPTOGENETICS
OA16LP
OCM16LP
OH16LP (required for oDrive)
OZ16LP

MR-COMPATIBLE
MR_CM16
MR_H16_21mm
MR_HC16_21mm

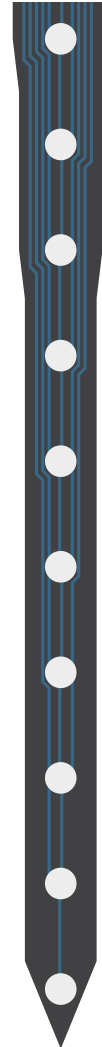
thickness

50 µm

A1X16-10mm-100-703-PT



TIP DETAIL



available packages

ACUTE

A16

CHRONIC

CM16LP
H16_21mm
HC16_21mm
HZ16_21mm
Z16
X3-16
X3-H16_10 mm
X3-H16_21mm

OPTOGENETICS

OA16LP
OCM16LP
OH16LP (required for oDrive)
OZ16LP

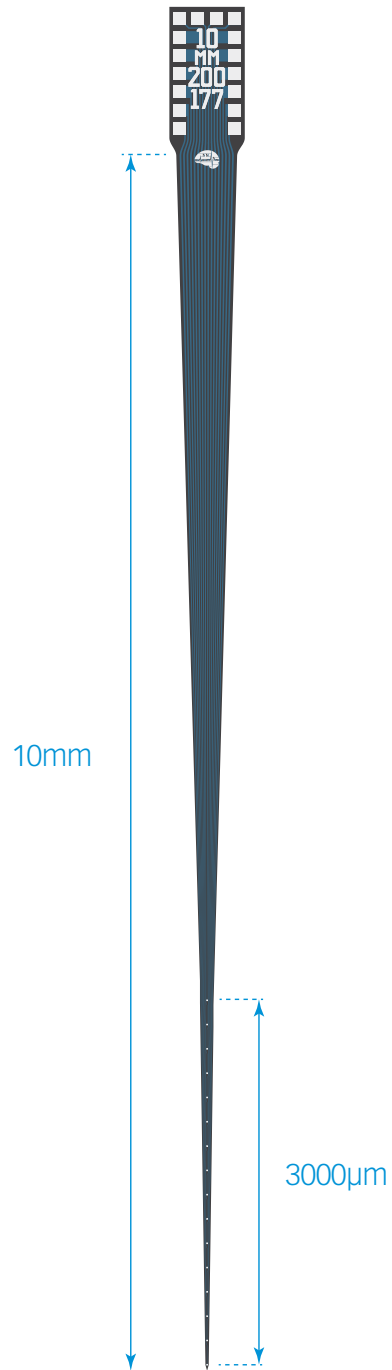
MR-COMPATIBLE

MR_CM16
MR_H16_21mm
MR_HC16_21mm

thickness

15 µm

A1x16-10mm-200-177



TIP DETAIL



available packages

ACUTE

A16

CHRONIC

CM16LP
H16_21mm
HC16_21mm
HZ16_21mm
Z16
X3-16
X3-H16_10 mm
X3-H16_21mm

OPTOGENETICS

OA16LP
OCM16LP
OH16LP (required for oDrive)
OZ16LP

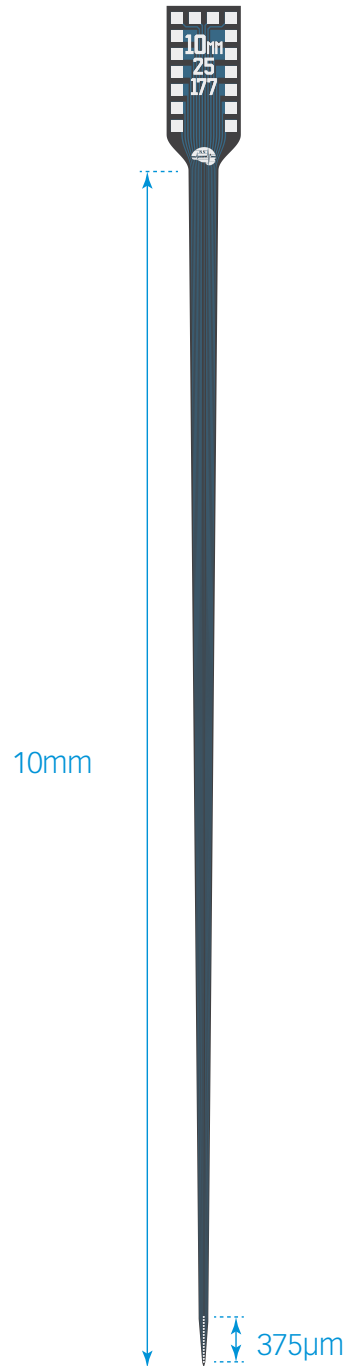
MR-COMPATIBLE

MR_CM16
MR_H16_21mm
MR_HC16_21mm

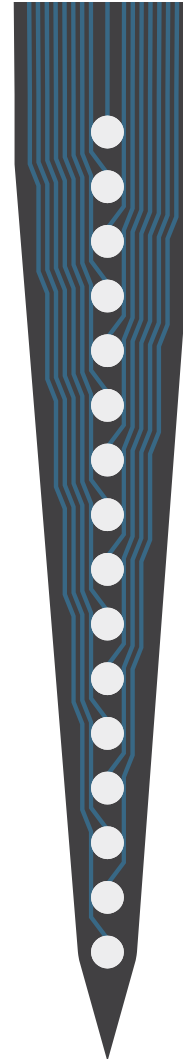
thickness

50 µm

A1x16-10mm-25-177



TIP DETAIL



available packages

ACUTE

A16

CHRONIC

CM16LP
H16_21mm
HC16_21mm
HZ16_21mm
Z16
X3-16
X3-H16_10 mm
X3-H16_21mm

OPTOGENETICS

OA16LP
OCM16LP
OH16LP (required for oDrive)
OZ16LP

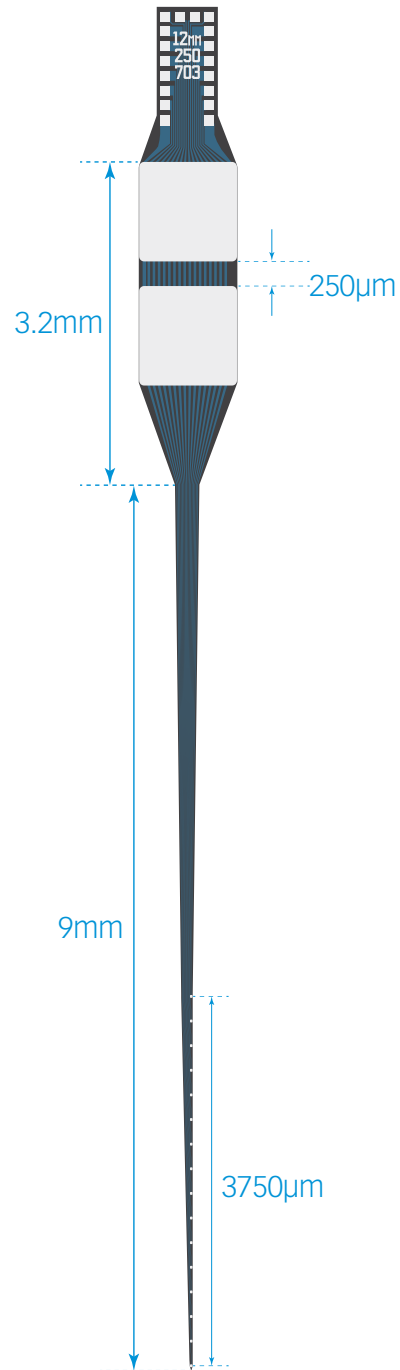
MR-COMPATIBLE

MR_CM16
MR_H16_21mm
MR_HC16_21mm

thickness

50 µm

A1X16-12mm-250-703-ref-gnd



TIP DETAIL



available packages

ACUTE

A16

CHRONIC

CM16LP
H16_21mm
HC16_21mm
HZ16_21mm
Z16
X3-16
X3-H16_10 mm
X3-H16_21mm

OPTOGENETICS

OA16LP
OCM16LP
OH16LP (required for oDrive)
OZ16LP

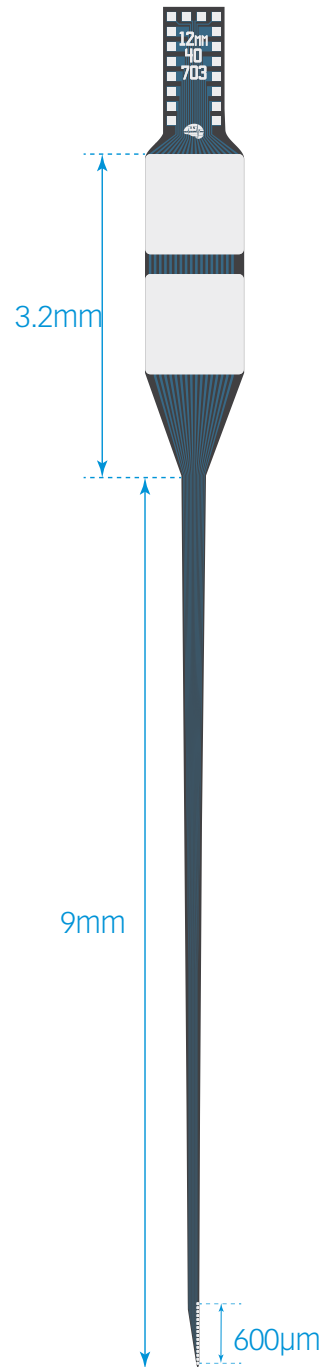
MR-COMPATIBLE

MR_CM16
MR_H16_21mm
MR_HC16_21mm

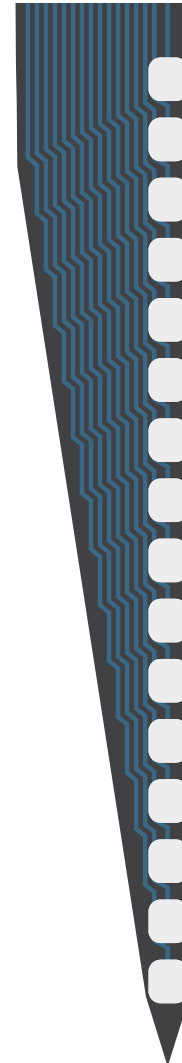
thickness

50 µm

A1x16-12mm-40-ref-gnd-703



TIP DETAIL



available packages

ACUTE

A16

CHRONIC

CM16LP
H16_21mm
HC16_21mm
HZ16_21mm
Z16
X3-16
X3-H16_10 mm
X3-H16_21mm

OPTOGENETICS

OA16LP
OCM16LP
OH16LP (required for oDrive)
OZ16LP

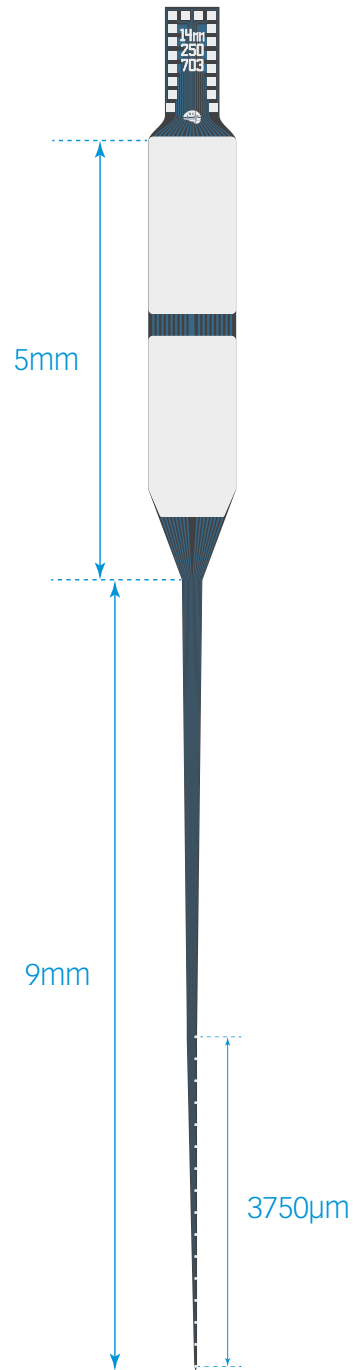
MR-COMPATIBLE

MR_CM16
MR_H16_21mm
MR_HC16_21mm

thickness

50 µm

A1X16-14mm250-703-ref-gnd



TIP DETAIL



available packages

ACUTE

A16

CHRONIC

CM16LP
H16_21mm
HC16_21mm
HZ16_21mm
Z16
X3-16
X3-H16_10 mm
X3-H16_21mm

OPTOGENETICS

OA16LP
OCM16LP
OH16LP (required for oDrive)
OZ16LP

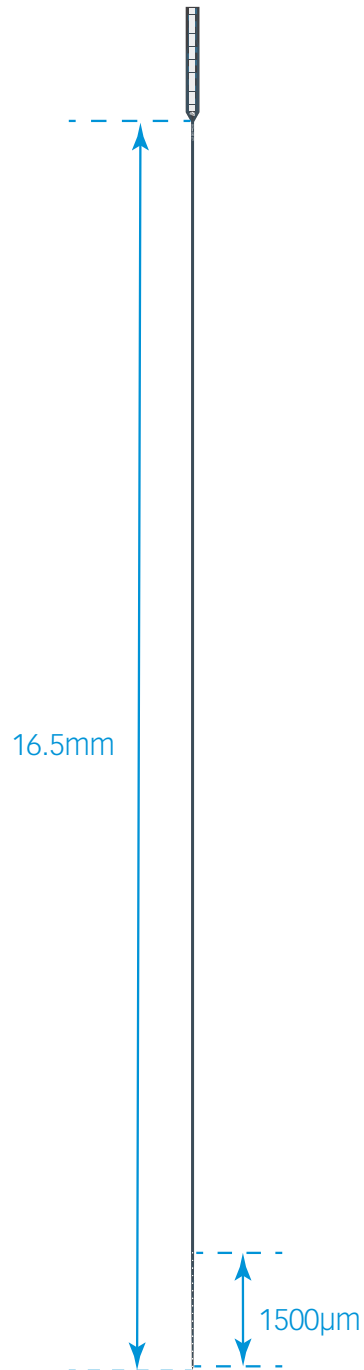
MR-COMPATIBLE

MR_CM16
MR_H16_21mm
MR_HC16_21mm

thickness

50 µm

A1x16-16.5mm-100-177



TIP DETAIL



available packages

ACUTE

A16

CHRONIC

CM16LP
H16_21mm
HC16_21mm
HZ16_21mm
Z16
X3-16
X3-H16_10 mm
X3-H16_21mm

OPTOGENETICS

OA16LP
OCM16LP
OH16LP (required for oDrive)
OZ16LP

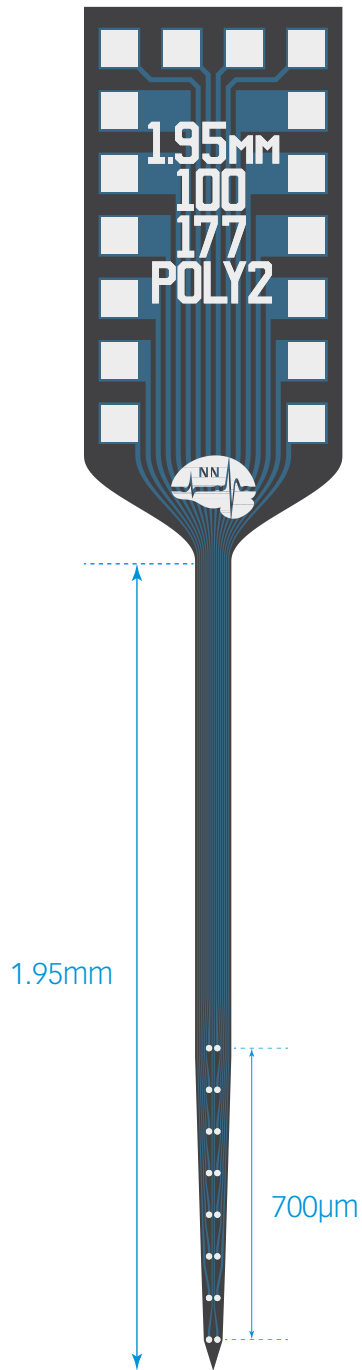
MR-COMPATIBLE

MR_CM16
MR_H16_21mm
MR_HC16_21mm

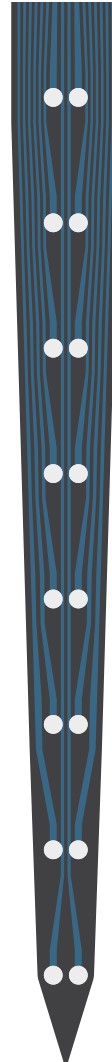
thickness

50 µm

A1x16-Poly2-1.95mm-100-177



TIP DETAIL



available packages

ACUTE

A16

CHRONIC

CM16LP
H16_21mm
HC16_21mm
HZ16_21mm
Z16
X3-16
X3-H16_10 mm
X3-H16_21mm

OPTOGENETICS

OA16LP
OCM16LP
OH16LP (required for oDrive)
OZ16LP

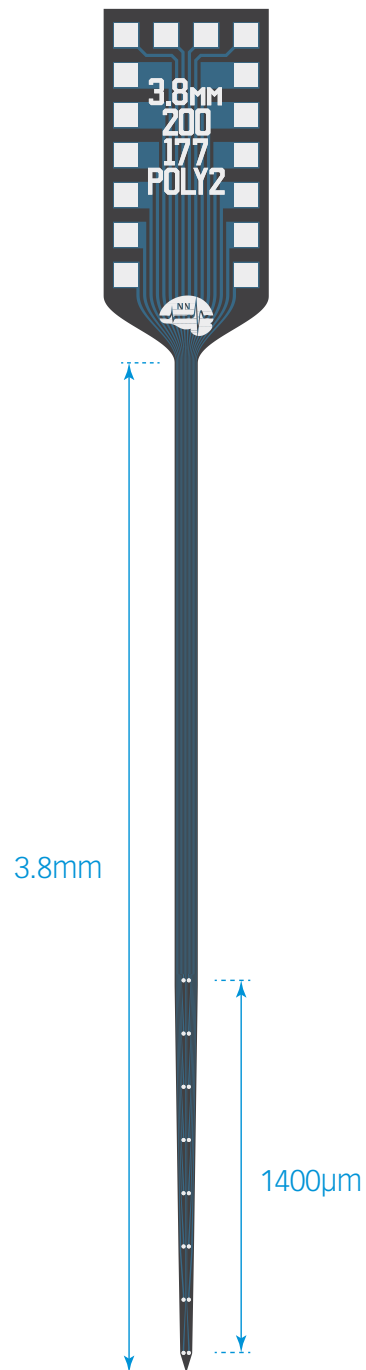
MR-COMPATIBLE

MR_CM16
MR_H16_21mm
MR_HC16_21mm

thickness

50 µm

A1x16-Poly2-3.8mm-200-177



TIP DETAIL



available packages

ACUTE

A16

CHRONIC

CM16LP
H16_21mm
HC16_21mm
HZ16_21mm
Z16
X3-16
X3-H16_10 mm
X3-H16_21mm

OPTOGENETICS

OA16LP
OCM16LP
OH16LP (required for oDrive)
OZ16LP

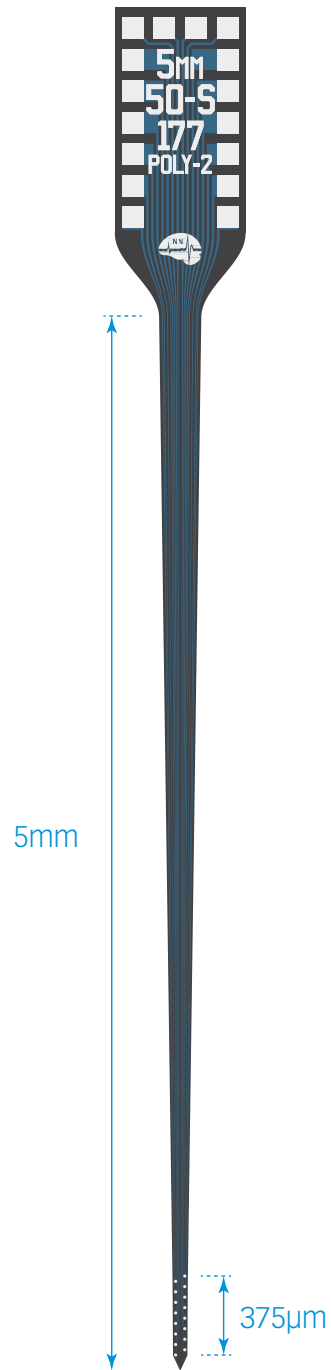
MR-COMPATIBLE

MR_CM16
MR_H16_21mm
MR_HC16_21mm

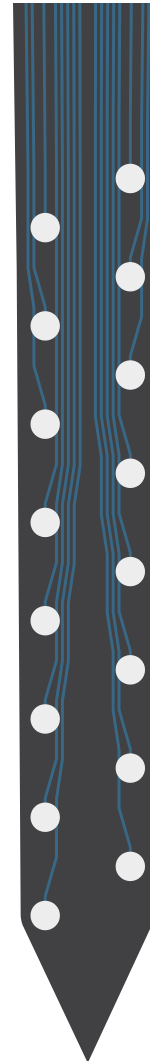
thickness

50 µm

A1X16-Poly2-5mm-50s-177



TIP DETAIL



available
packages

ACUTE

A16

CHRONIC

CM16LP
H16_21mm
HC16_21mm
HZ16_21mm
Z16
X3-16
X3-H16_10 mm
X3-H16_21mm

OPTOGENETICS

OA16LP
OCM16LP
OH16LP (required for
oDrive)
OZ16LP

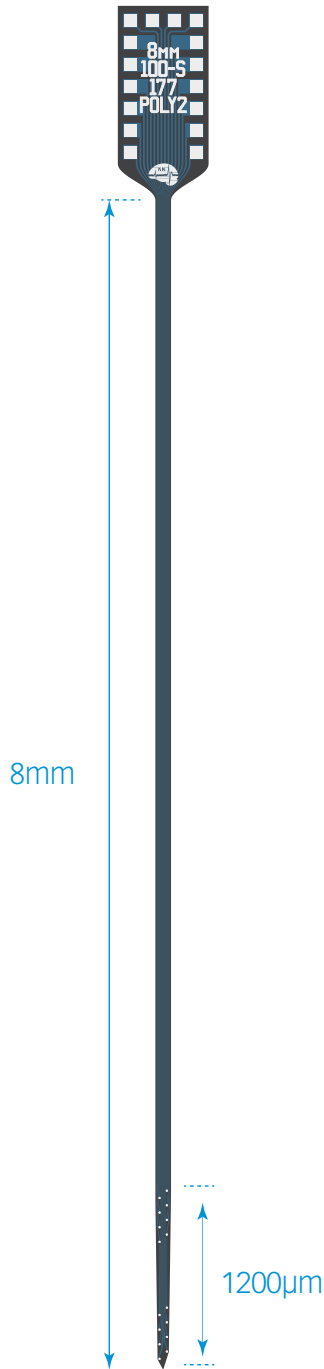
MR-COMPATIBLE

MR_CM16
MR_H16_21mm
MR_HC16_21mm

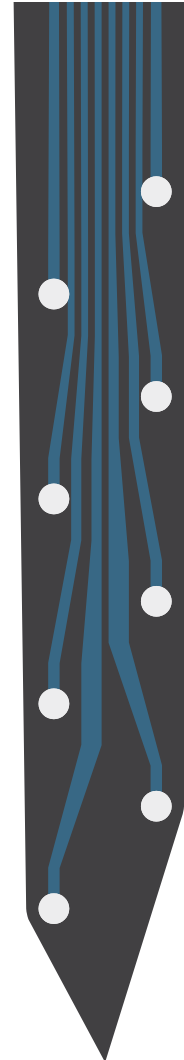
thickness

15 µm

A1X16-Poly2-8mm-100s-177



TIP DETAIL



available packages

ACUTE

A16

CHRONIC

CM16LP
H16_21mm
HC16_21mm
HZ16_21mm
Z16
X3-16
X3-H16_10 mm
X3-H16_21mm

OPTOGENETICS

OA16LP
OCM16LP
OH16LP (required for
oDrive)
OZ16LP

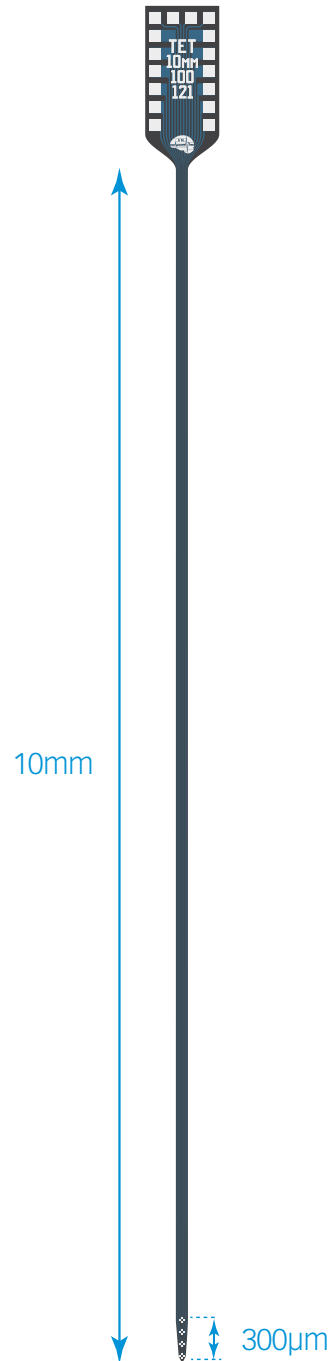
MR-COMPATIBLE

MR_CM16
MR_H16_21mm
MR_HC16_21mm

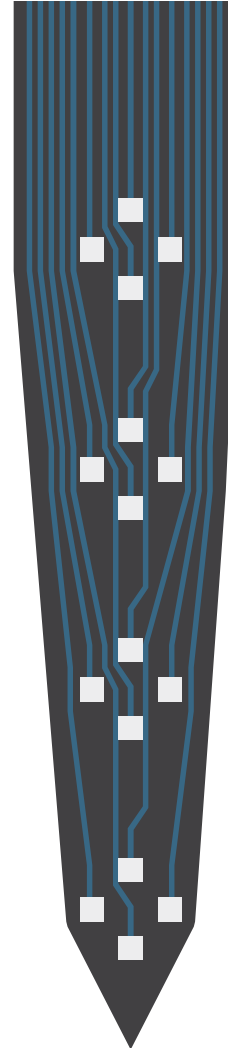
thickness

50 µm

A1x4-tet-10mm-100-121



TIP DETAIL



available packages

ACUTE

A16

CHRONIC

CM16LP
H16_21mm
HC16_21mm
HZ16_21mm
Z16
X3-16
X3-H16_10 mm
X3-H16_21mm

OPTOGENETICS

OA16LP
OCM16LP
OH16LP (required for oDrive)
OZ16LP

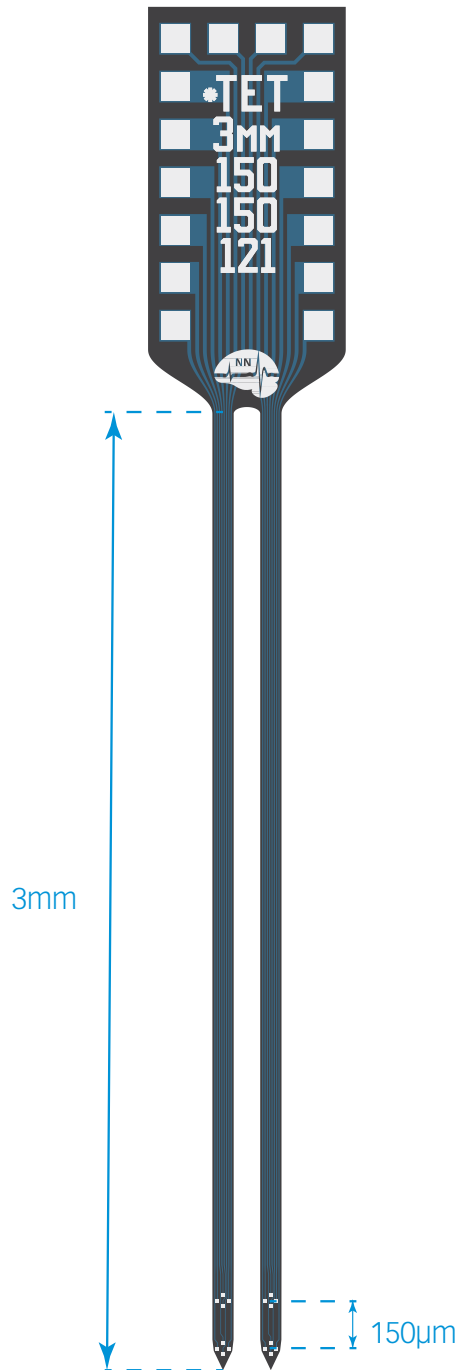
MR-COMPATIBLE

MR_CM16
MR_H16_21mm
MR_HC16_21mm

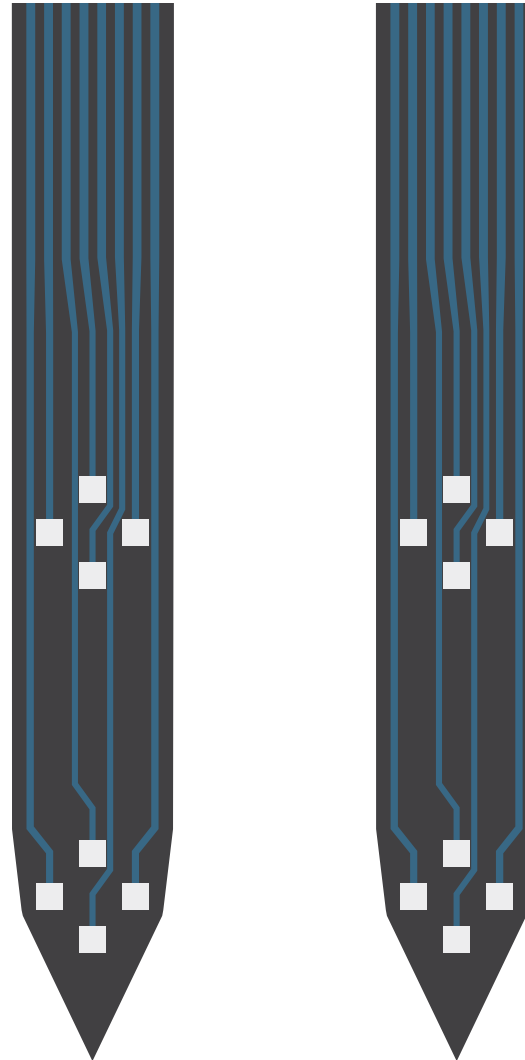
thickness

15 µm
50 µm

A2x2-tet-3mm-150-121



TIP DETAIL



available packages

ACUTE

A16

CHRONIC

CM16LP
H16_21mm
HC16_21mm
HZ16_21mm
Z16
X3-16
X3-H16_10 mm
X3-H16_21mm

OPTOGENETICS

OA16LP
OCM16LP
OH16LP (required for oDrive)
OZ16LP

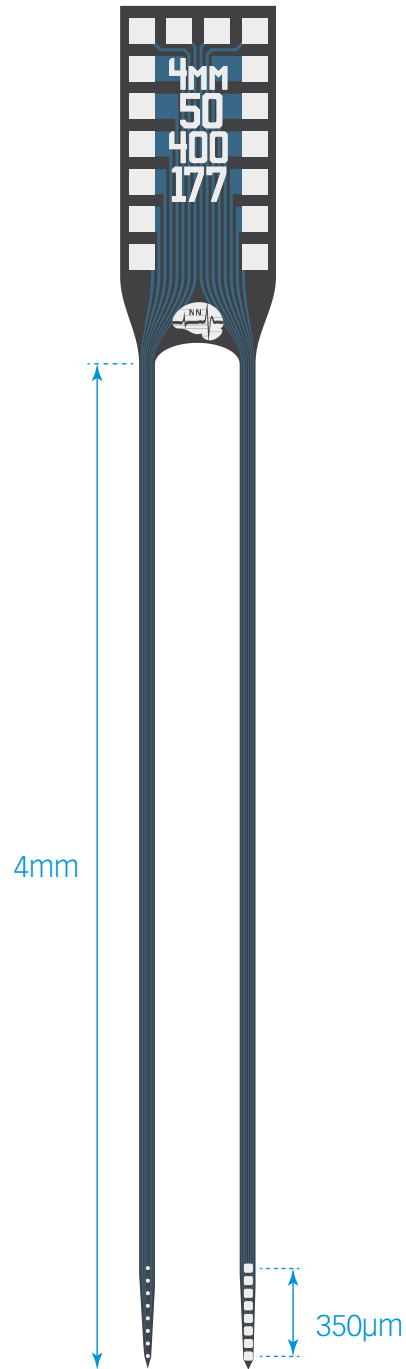
MR-COMPATIBLE

MR_CM16
MR_H16_21mm
MR_HC16_21mm

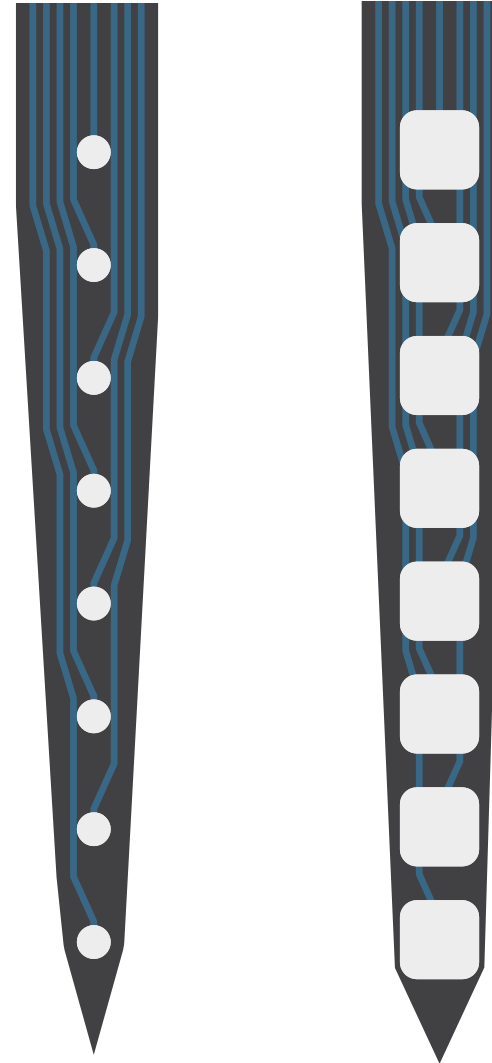
thickness

15 µm
50 µm

A2x8-4mm-50-400-177/1181



TIP DETAIL



available packages

ACUTE

A16

CHRONIC

CM16LP
H16_21mm
HC16_21mm
HZ16_21mm
Z16
X3-16
X3-H16_10 mm
X3-H16_21mm

OPTOGENETICS

OA16LP
OCM16LP
OH16LP (required for
oDrive)
OZ16LP

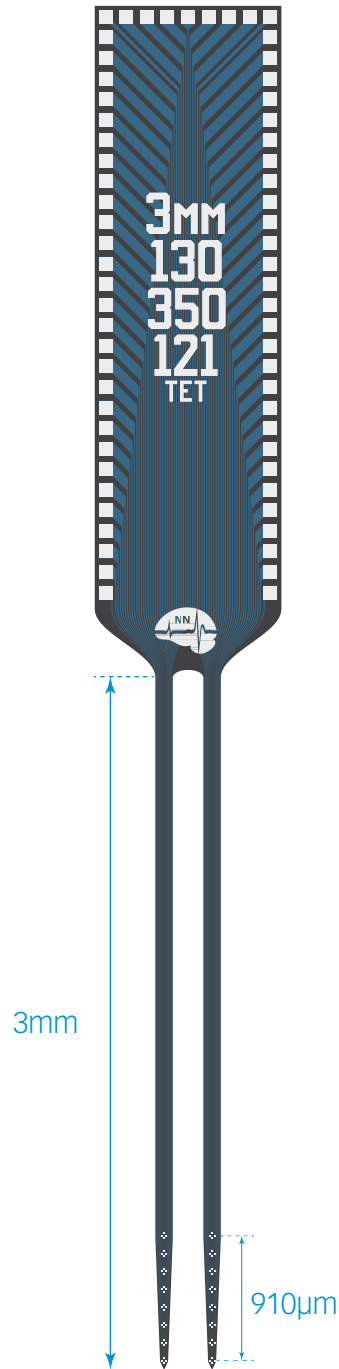
MR-COMPATIBLE

MR_CM16
MR_H16_21mm
MR_HC16_21mm

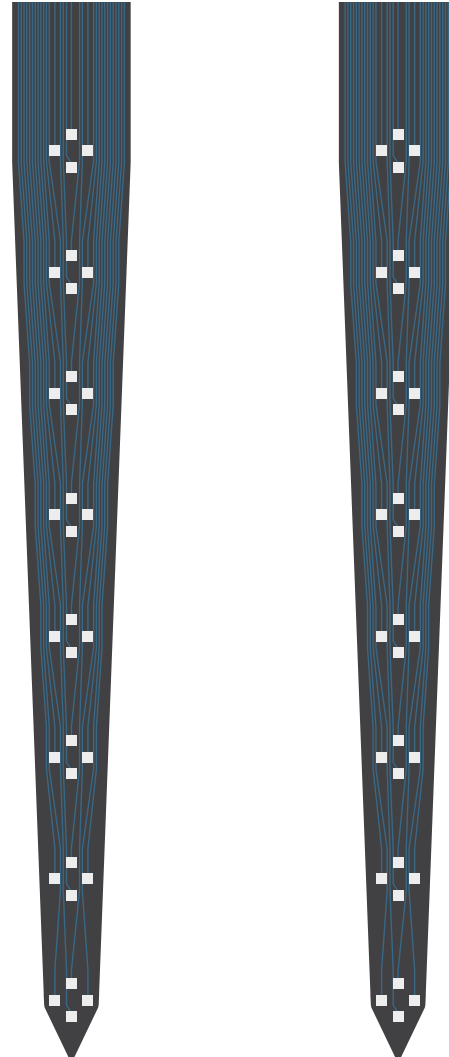
thickness

15 µm

A2x8-tet-3mm-130-350-121



TIP DETAIL



available packages

ACUTE

A16

CHRONIC

CM16LP
H16_21mm
HC16_21mm
HZ16_21mm
Z16
X3-16
X3-H16_10 mm
X3-H16_21mm

OPTOGENETICS

OA16LP
OCM16LP
OH16LP (required for oDrive)
OZ16LP

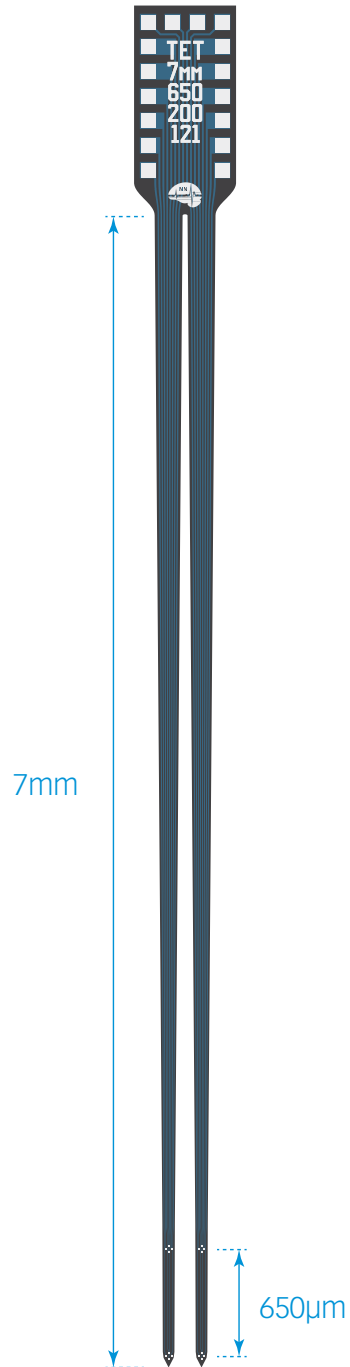
MR-COMPATIBLE

MR_CM16
MR_H16_21mm
MR_HC16_21mm

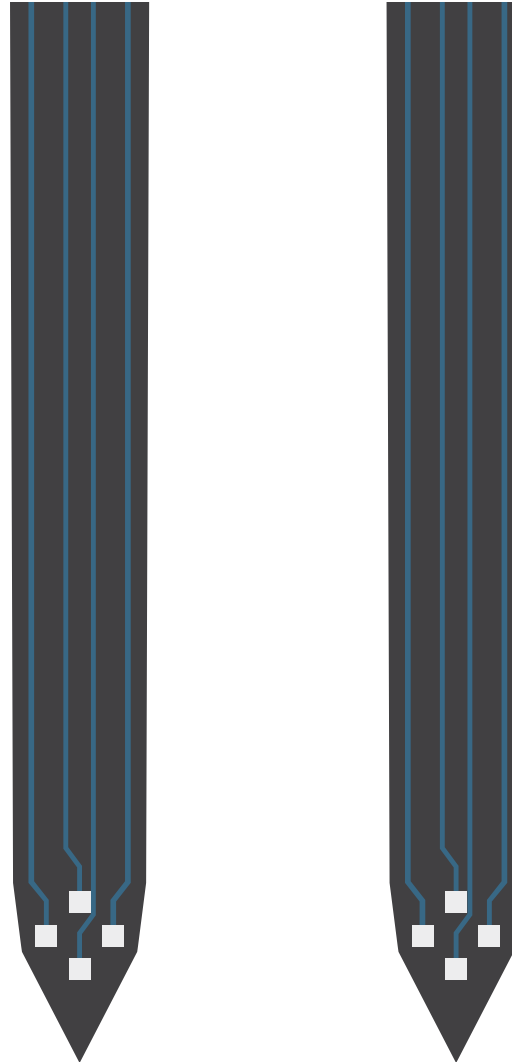
thickness

15 µm

A2x2-tet-7mm-650-200-121



TIP DETAIL



available packages

ACUTE

A16

CHRONIC

CM16LP
H16_21mm
HC16_21mm
HZ16_21mm
Z16
X3-16
X3-H16_10 mm
X3-H16_21mm

OPTOGENETICS

OA16LP
OCM16LP
OH16LP (required for oDrive)
OZ16LP

MR-COMPATIBLE

MR_CM16
MR_H16_21mm
MR_HC16_21mm

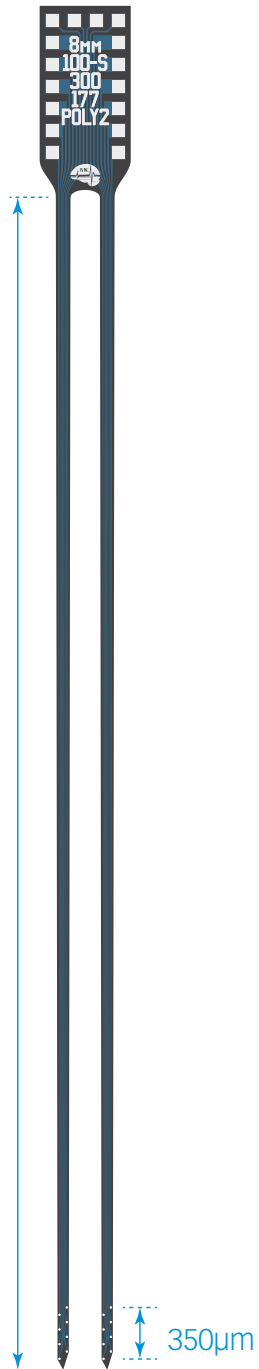
thickness

15 µm

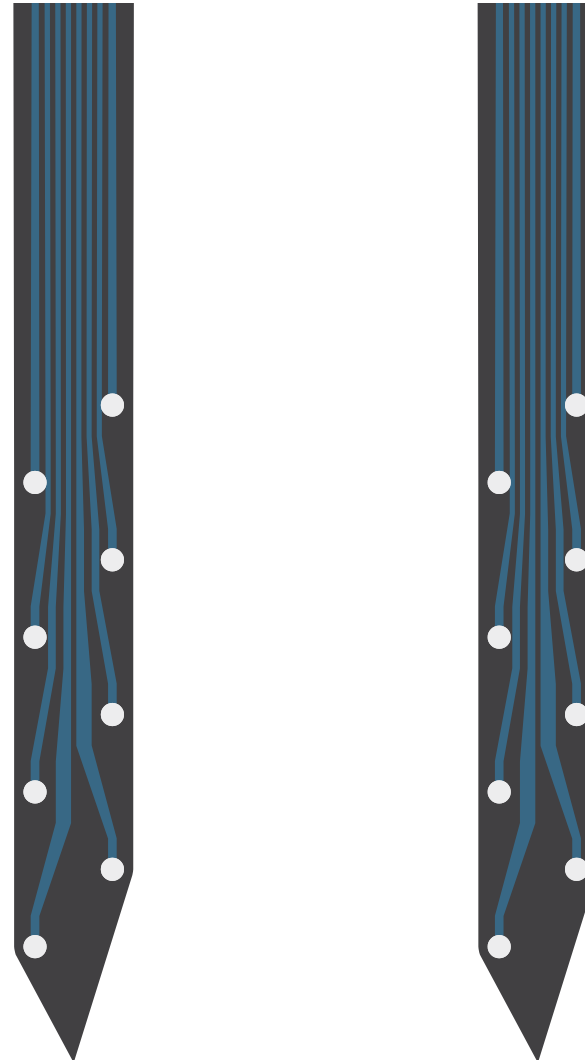
A2x8-

Poly2-8mm-100s-300-177

8mm



TIP DETAIL



available packages

ACUTE

A16

CHRONIC

CM16LP
H16_21mm
HC16_21mm
HZ16_21mm
Z16
X3-16
X3-H16_10 mm
X3-H16_21mm

OPTOGENETICS

OA16LP
OCM16LP
OH16LP (required for oDrive)
OZ16LP

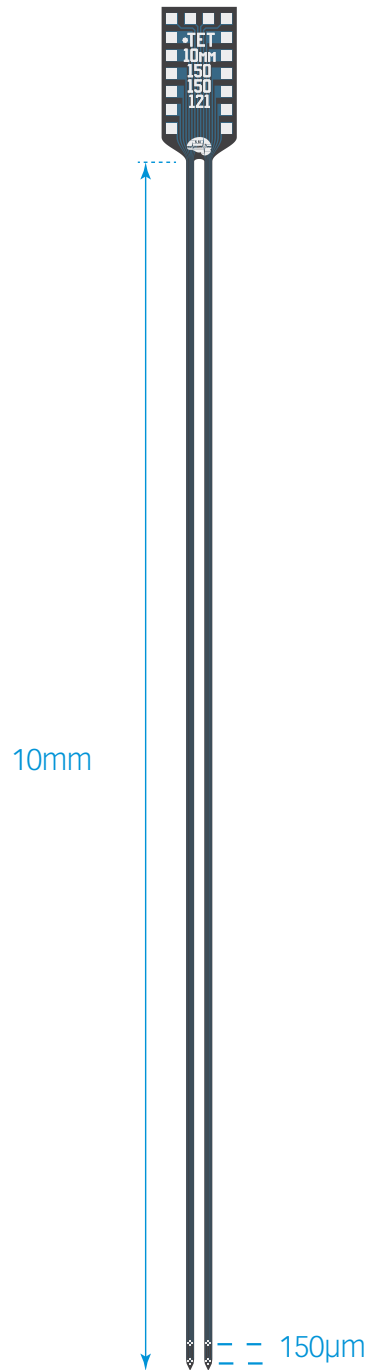
MR-COMPATIBLE

MR_CM16
MR_H16_21mm
MR_HC16_21mm

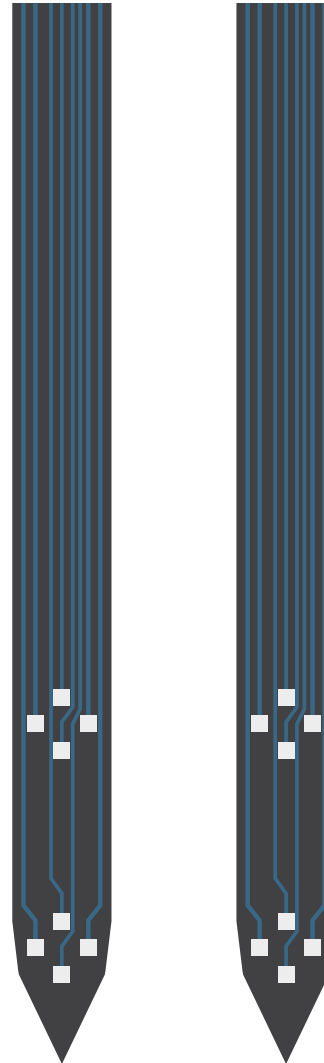
thickness

50 µm

A2x2-tet-10mm-150-150-121



TIP DETAIL



available packages

ACUTE

A16

CHRONIC

CM16LP
H16_21mm
HC16_21mm
HZ16_21mm
Z16
X3-16
X3-H16_10 mm
X3-H16_21mm

OPTOGENETICS

OA16LP
OCM16LP
OH16LP (required for oDrive)
OZ16LP

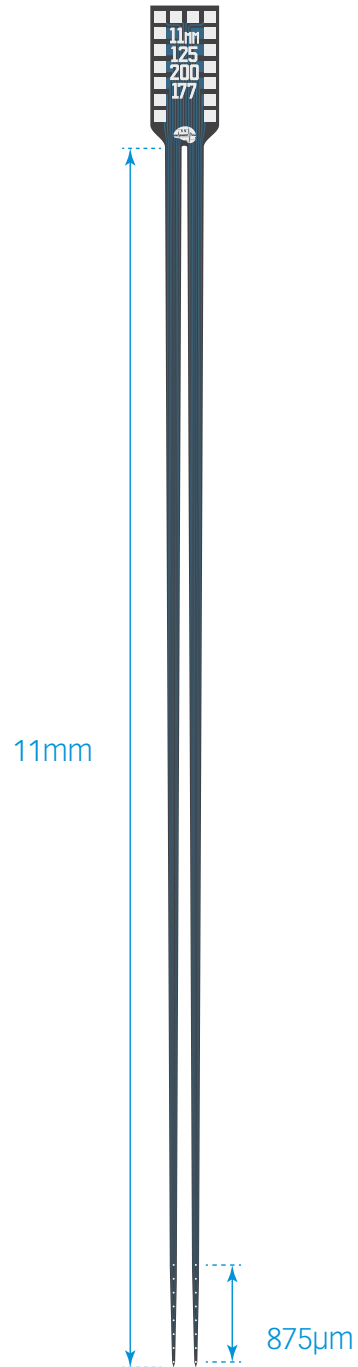
MR-COMPATIBLE

MR_CM16
MR_H16_21mm
MR_HC16_21mm

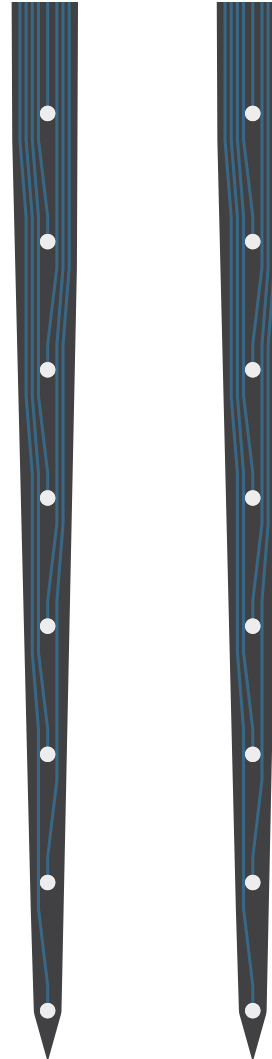
thickness

50 µm

A2x8-11mm-125-200-177



TIP DETAIL



available packages

ACUTE

A16

CHRONIC

CM16LP
H16_21mm
HC16_21mm
HZ16_21mm
Z16
X3-16
X3-H16_10 mm
X3-H16_21mm

OPTOGENETICS

OA16LP
OCM16LP
OH16LP (required for oDrive)
OZ16LP

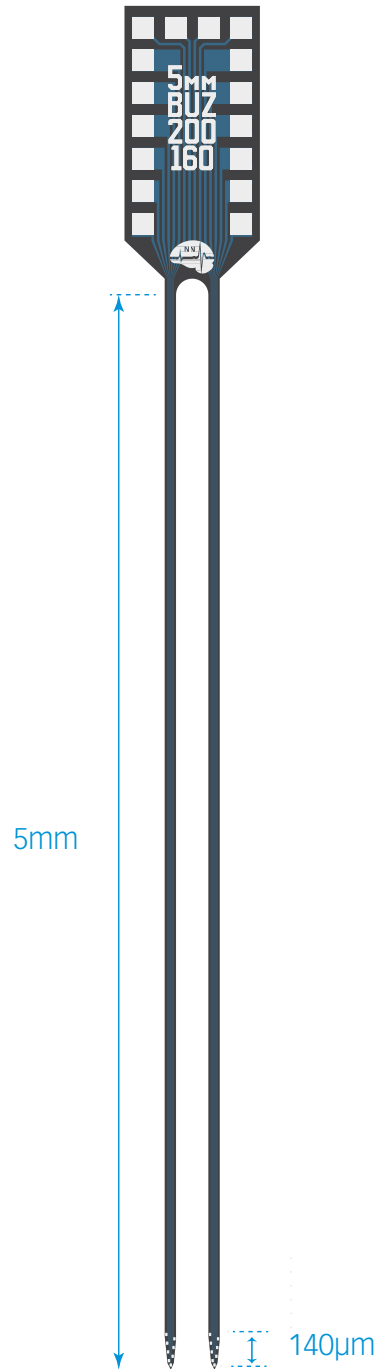
MR-COMPATIBLE

MR_CM16
MR_H16_21mm
MR_HC16_21mm

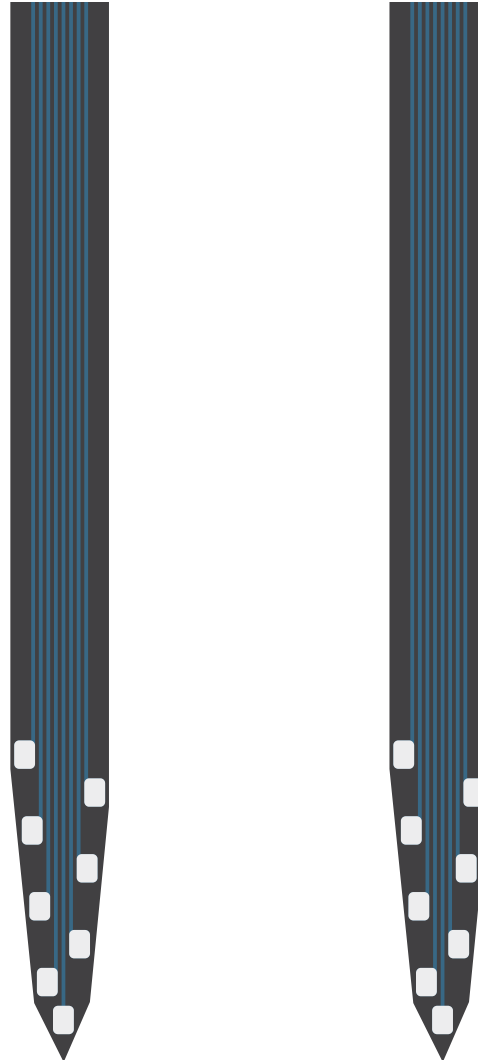
thickness

50 µm

Buzsaki-16



TIP DETAIL



available packages

ACUTE

A16

CHRONIC

CM16LP
H16_21mm
HC16_21mm
HZ16_21mm
Z16
X3-16
X3-H16_10 mm
X3-H16_21mm

OPTOGENETICS

OA16LP
OCM16LP
OH16LP (required for
oDrive)
OZ16LP

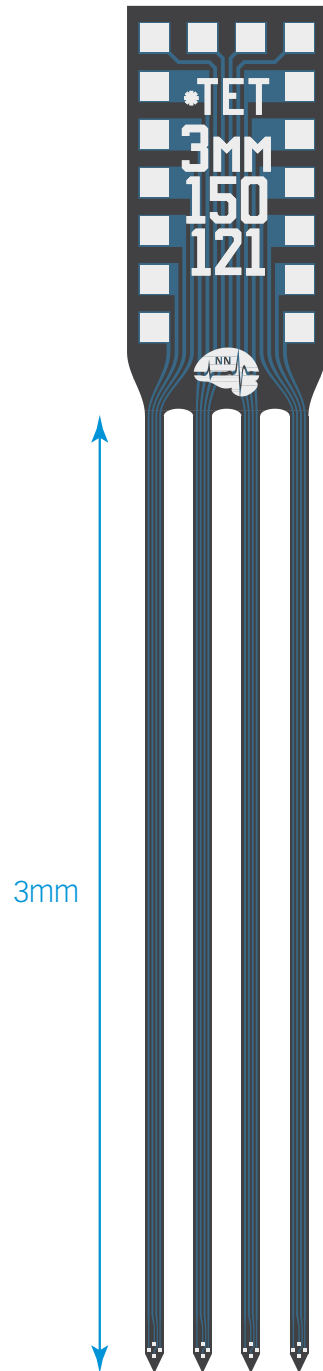
MR-COMPATIBLE

MR_CM16
MR_H16_21mm
MR_HC16_21mm

thickness

15 µm

A4x1-tet-3mm-150-121



TIP DETAIL



available packages

ACUTE

A16

CHRONIC

CM16LP
H16_21mm
HC16_21mm
HZ16_21mm
Z16
X3-16
X3-H16_10 mm
X3-H16_21mm

OPTOGENETICS

OA16LP
OCM16LP
OH16LP (required for
oDrive)
OZ16LP

MR-COMPATIBLE

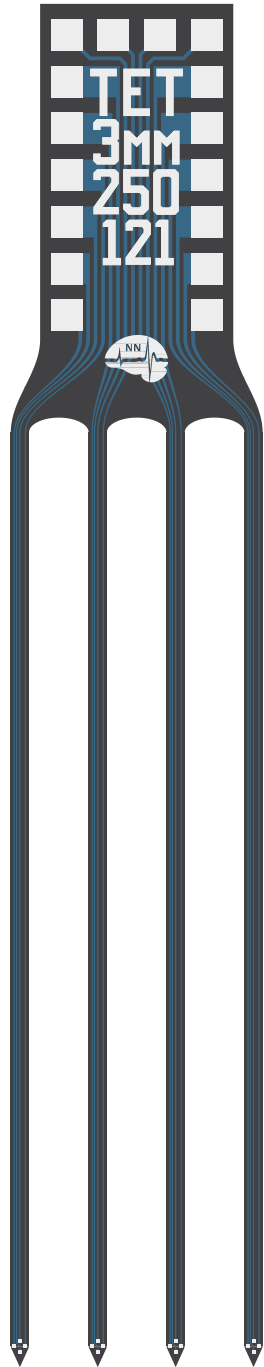
MR_CM16
MR_H16_21mm
MR_HC16_21mm

thickness

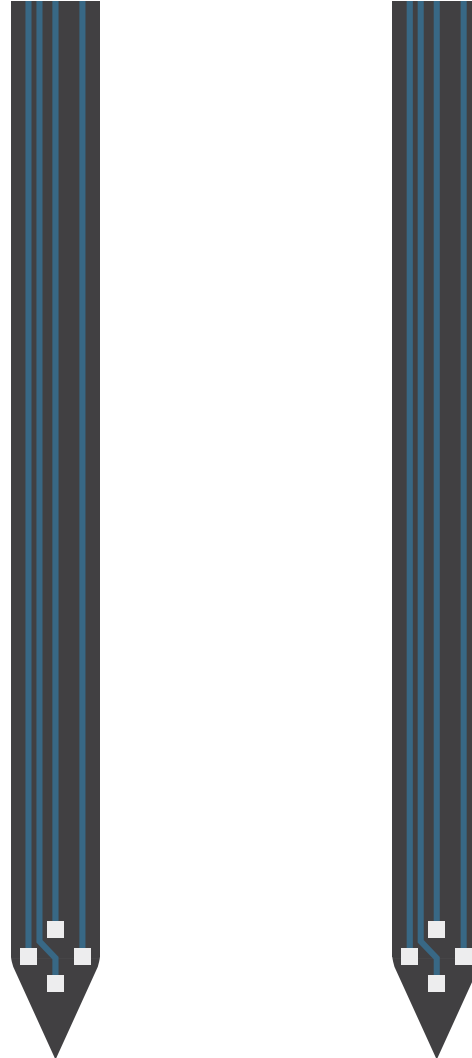
50 μ m

A4x1-tet-3mm-250-121

3mm



TIP DETAIL



available packages

ACUTE

A16

CHRONIC

CM16LP
H16_21mm
HC16_21mm
HZ16_21mm
Z16
X3-16
X3-H16_10 mm
X3-H16_21mm

OPTOGENETICS

OA16LP
OCM16LP
OH16LP (required for
oDrive)
OZ16LP

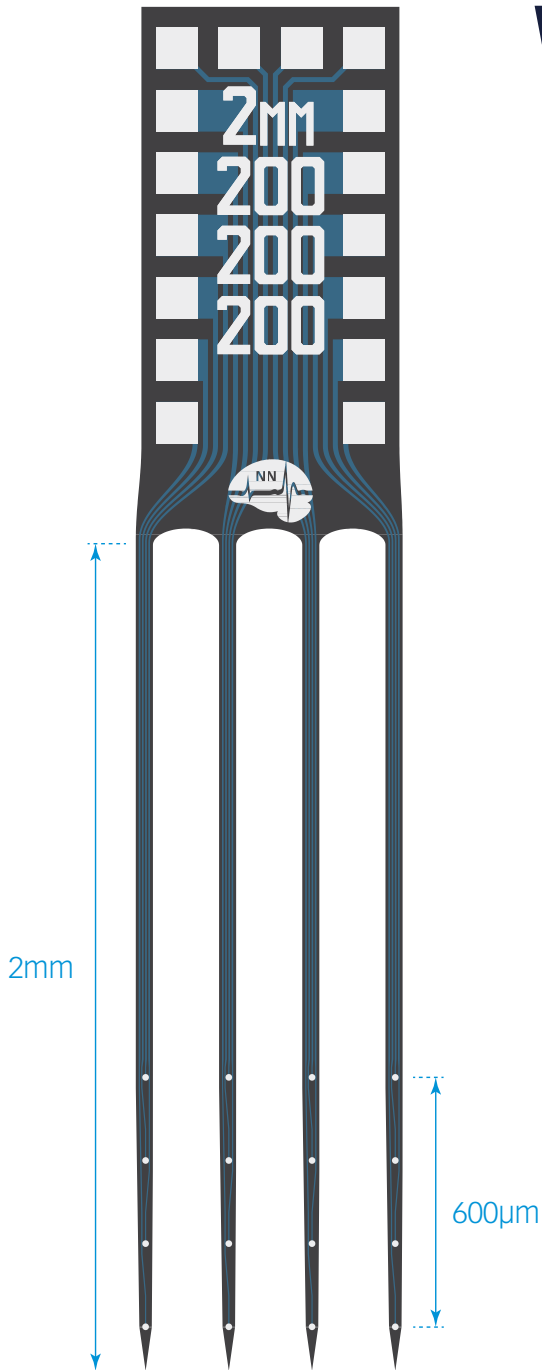
MR-COMPATIBLE

MR_CM16
MR_H16_21mm
MR_HC16_21mm

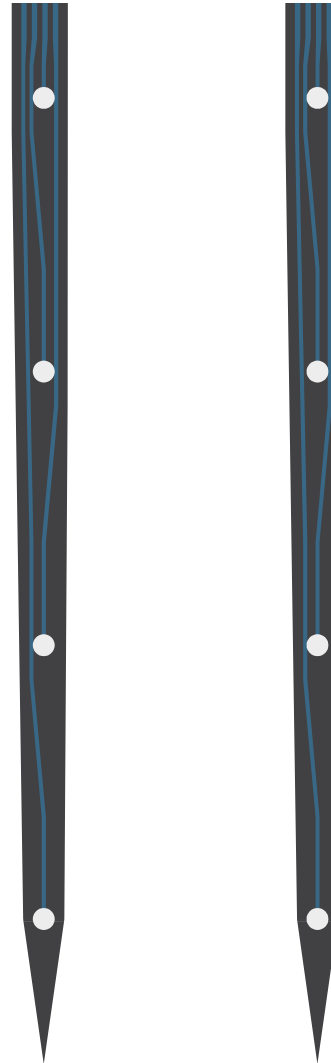
thickness

15 μ m

A4x4-2mm-200-200-200



TIP DETAIL



available packages

ACUTE

A16

CHRONIC

CM16LP
H16_21mm
HC16_21mm
HZ16_21mm
Z16
X3-16
X3-H16_10 mm
X3-H16_21mm

OPTOGENETICS

OA16LP
OCM16LP
OH16LP (required for oDrive)
OZ16LP

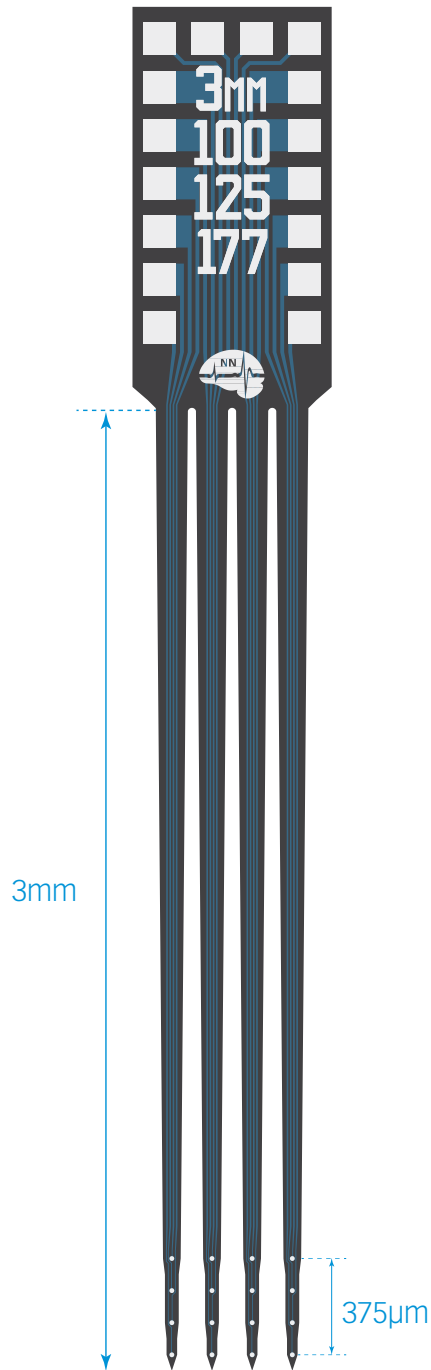
MR-COMPATIBLE

MR_CM16
MR_H16_21mm
MR_HC16_21mm

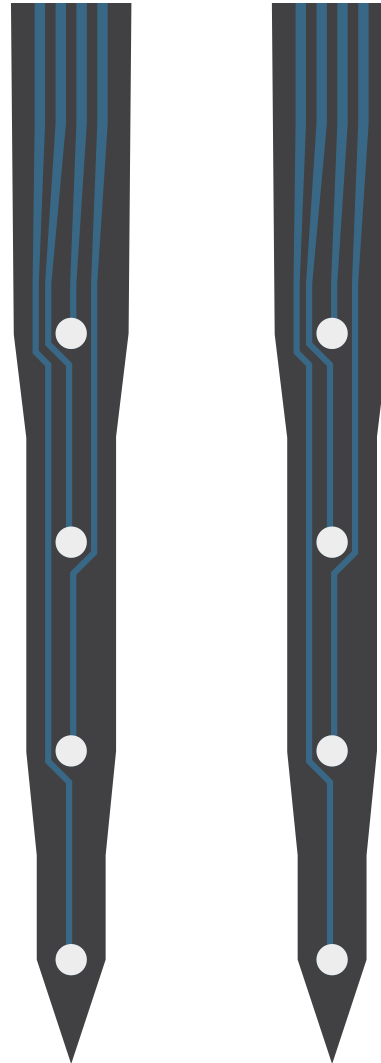
thickness

15 µm

A4x4-3mm-100-125-177



TIP DETAIL



available packages

ACUTE

A16

CHRONIC

CM16LP
H16_21mm
HC16_21mm
HZ16_21mm
Z16
X3-16
X3-H16_10 mm
X3-H16_21mm

OPTOGENETICS

OA16LP
OCM16LP
OH16LP (required for oDrive)
OZ16LP

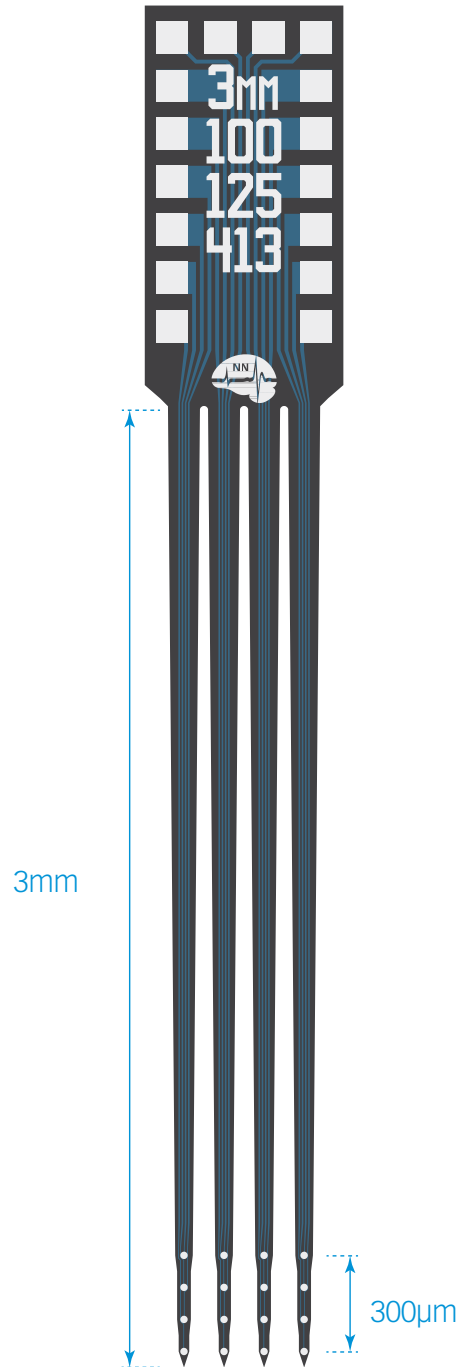
MR-COMPATIBLE

MR_CM16
MR_H16_21mm
MR_HC16_21mm

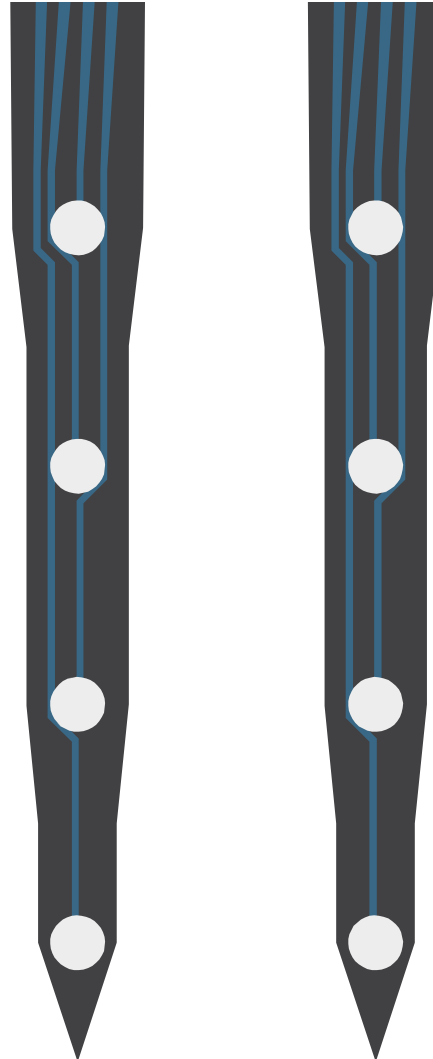
thickness

15 µm

A4x4-3mm-100-125-413



TIP DETAIL



available packages

ACUTE

A16

CHRONIC

CM16LP
H16_21mm
HC16_21mm
HZ16_21mm
Z16
X3-16
X3-H16_10 mm
X3-H16_21mm

OPTOGENETICS

OA16LP
OCM16LP
OH16LP (required for oDrive)
OZ16LP

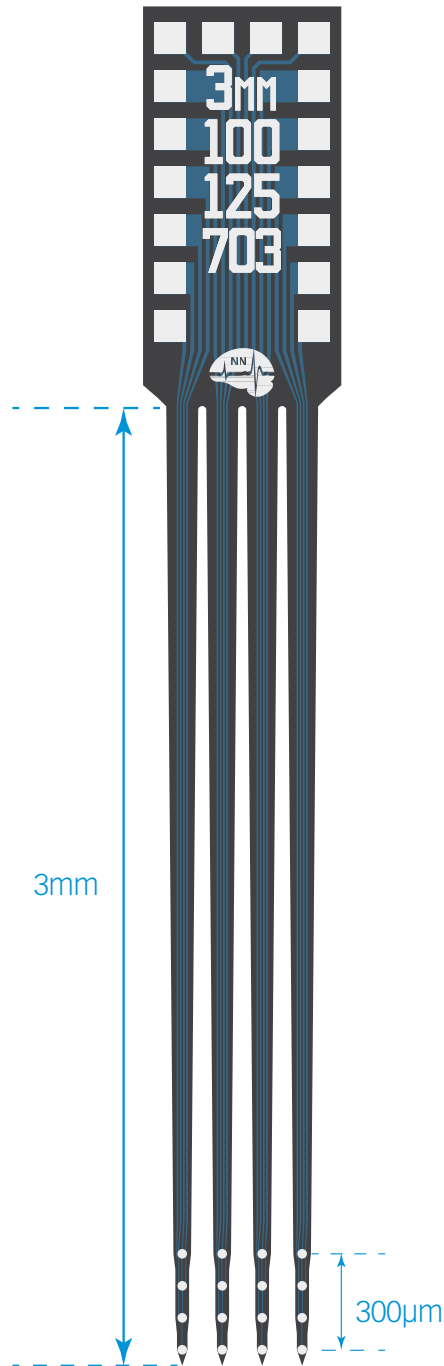
MR-COMPATIBLE

MR_CM16
MR_H16_21mm
MR_HC16_21mm

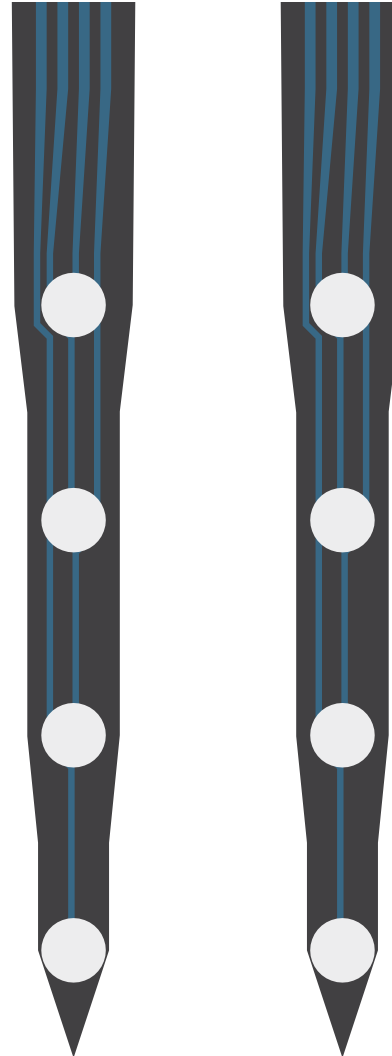
thickness

15 µm
50 µm

A4x4-3mm-100-125-703



TIP DETAIL



available packages

ACUTE

A16

CHRONIC

CM16LP
H16_21mm
HC16_21mm
HZ16_21mm
Z16
X3-16
X3-H16_10 mm
X3-H16_21mm

OPTOGENETICS

OA16LP
OCM16LP
OH16LP (required for oDrive)
OZ16LP

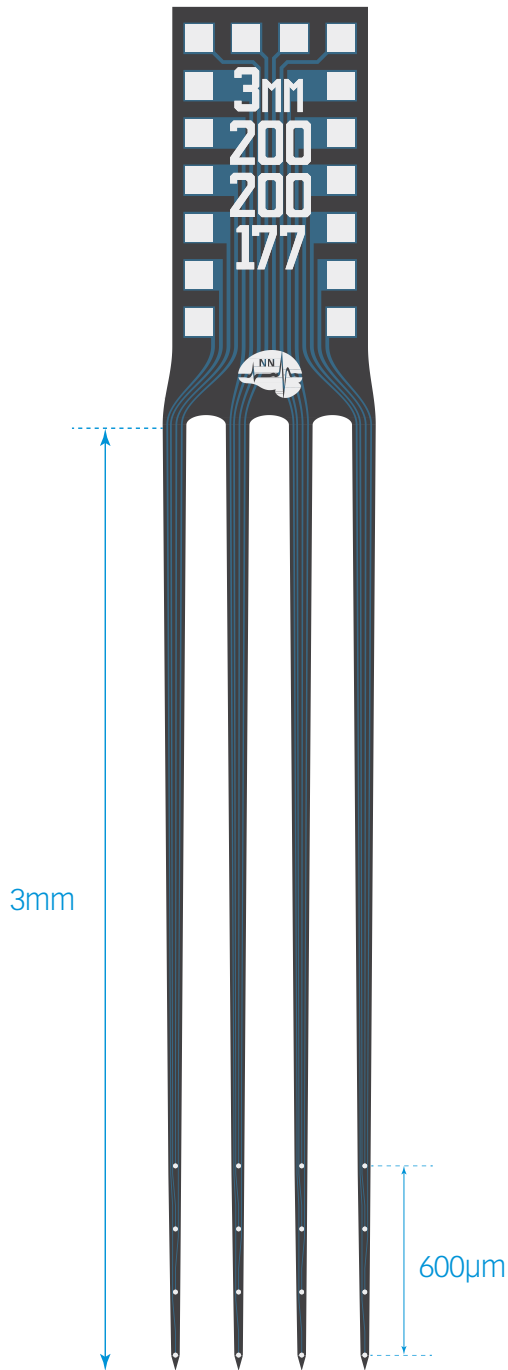
MR-COMPATIBLE

MR_CM16
MR_H16_21mm
MR_HC16_21mm

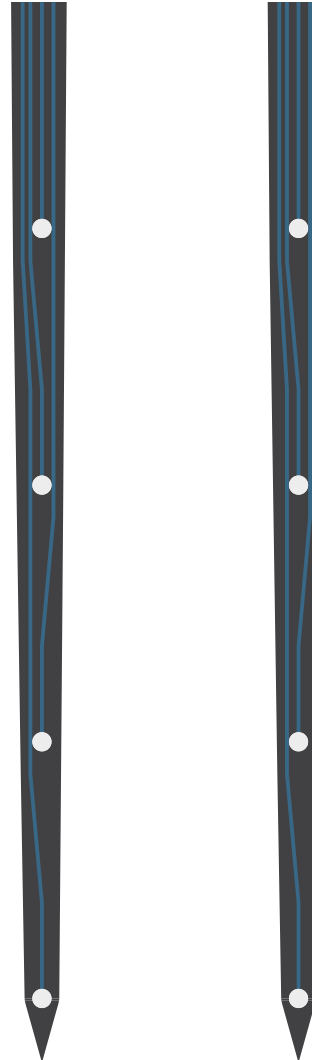
thickness

15 µm
50 µm

A4x4-3mm-200-200-177



TIP DETAIL



available packages

ACUTE

A16

CHRONIC

CM16LP
H16_21mm
HC16_21mm
HZ16_21mm
Z16
X3-16
X3-H16_10 mm
X3-H16_21mm

OPTOGENETICS

OA16LP
OCM16LP
OH16LP (required for oDrive)
OZ16LP

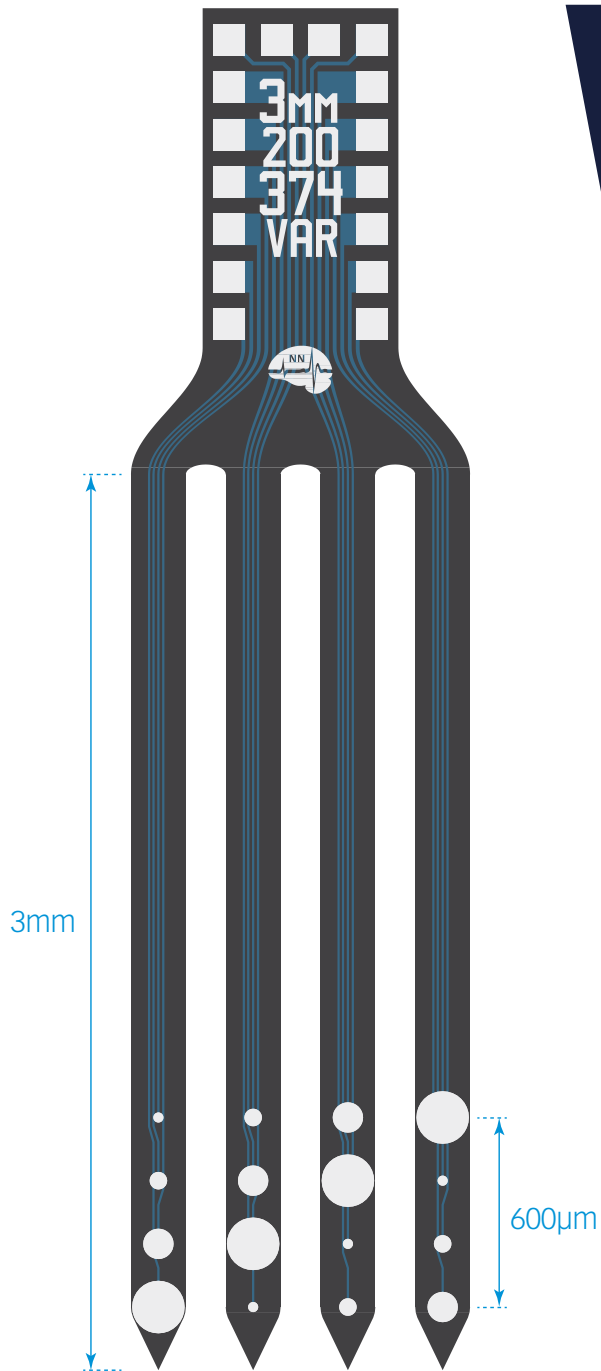
MR-COMPATIBLE

MR_CM16
MR_H16_21mm
MR_HC16_21mm

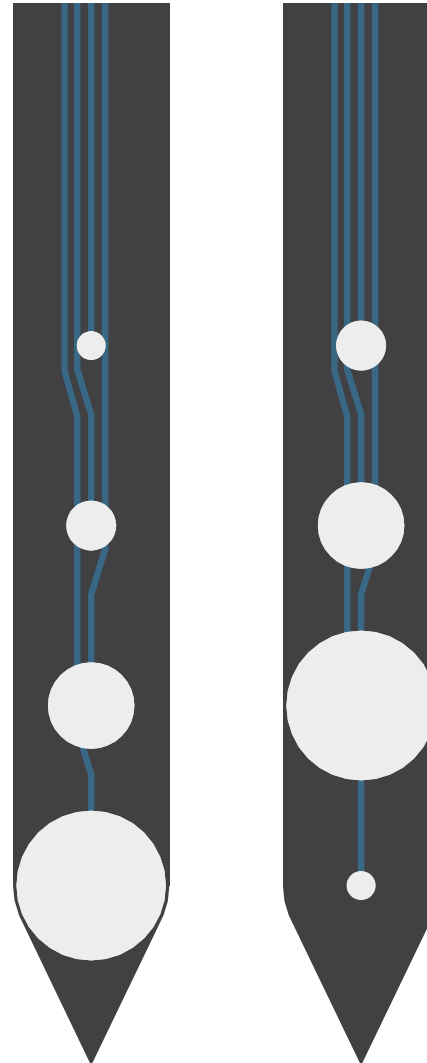
thickness

15 µm

A4x4-3mm-200-374-var



TIP DETAIL



available packages

ACUTE

A16

CHRONIC

CM16LP
H16_21mm
HC16_21mm
HZ16_21mm
Z16
X3-16
X3-H16_10 mm
X3-H16_21mm

OPTOGENETICS

OA16LP
OCM16LP
OH16LP (required for oDrive)
OZ16LP

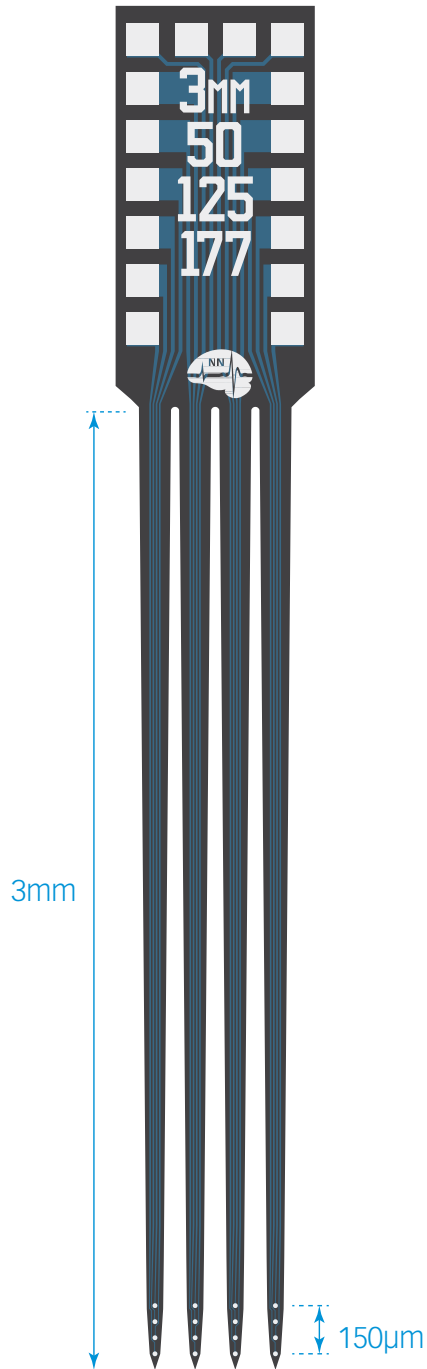
MR-COMPATIBLE

MR_CM16
MR_H16_21mm
MR_HC16_21mm

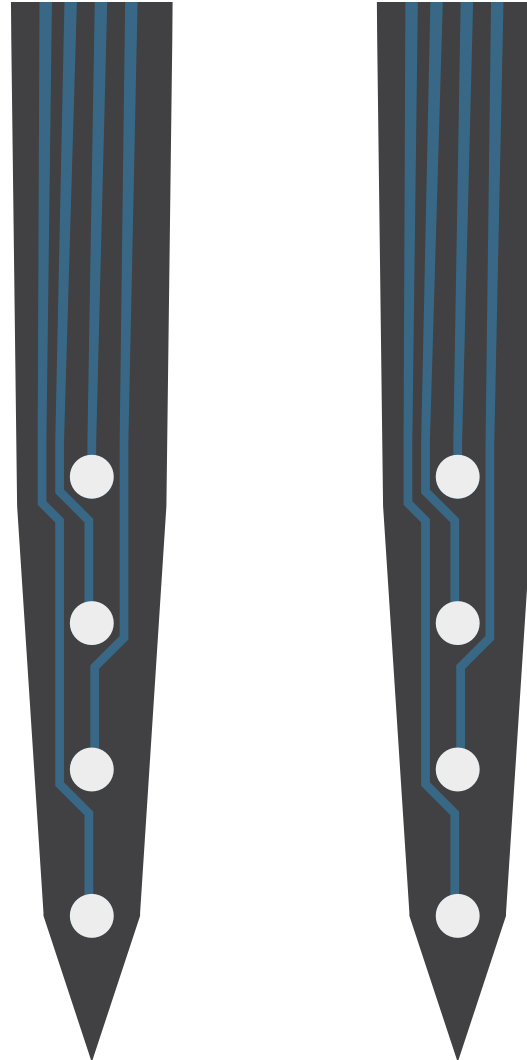
thickness

15 µm

A4x4-3mm-50-125-177



TIP DETAIL



available packages

ACUTE

A16

CHRONIC

CM16LP
H16_21mm
HC16_21mm
HZ16_21mm
Z16
X3-16
X3-H16_10 mm
X3-H16_21mm

OPTOGENETICS

OA16LP
OCM16LP
OH16LP (required for oDrive)
OZ16LP

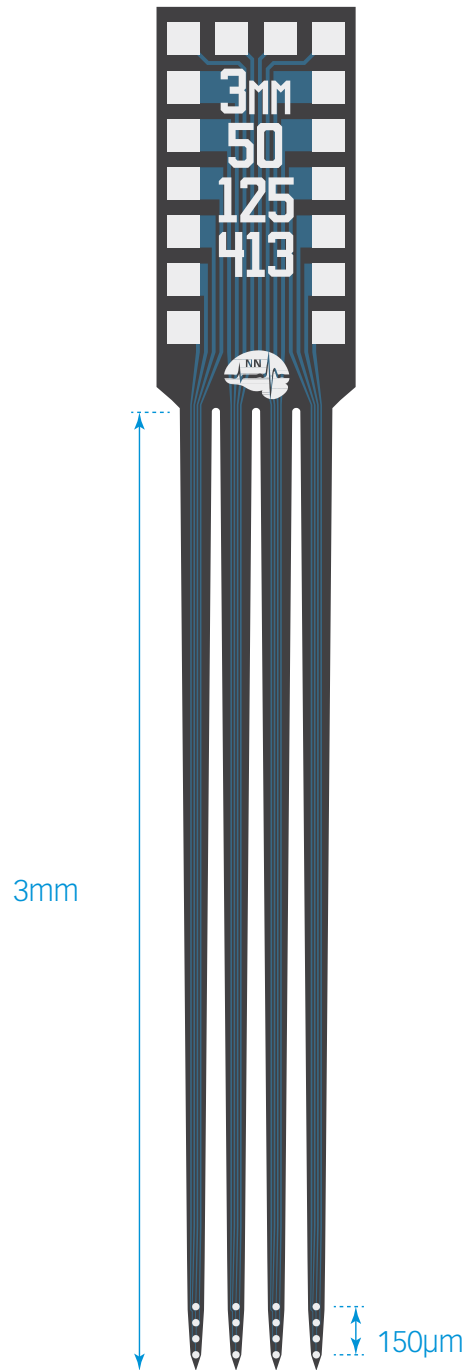
MR-COMPATIBLE

MR_CM16
MR_H16_21mm
MR_HC16_21mm

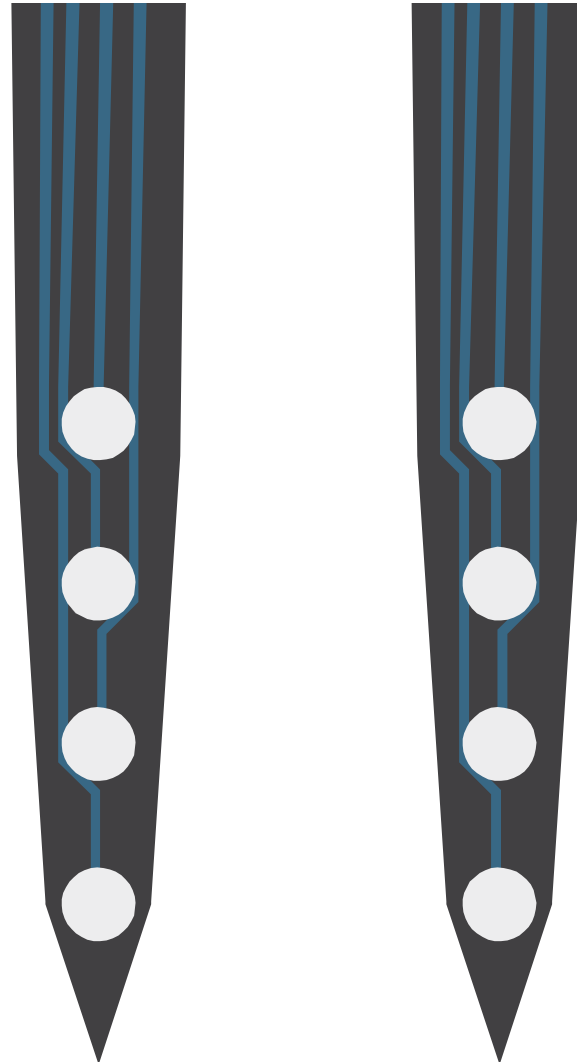
thickness

15 µm

A4x4-3mm-50-125-413



TIP DETAIL



available packages

ACUTE

A16

CHRONIC

CM16LP
H16_21mm
HC16_21mm
HZ16_21mm
Z16
X3-16
X3-H16_10 mm
X3-H16_21mm

OPTOGENETICS

OA16LP
OCM16LP
OH16LP (required for
oDrive)
OZ16LP

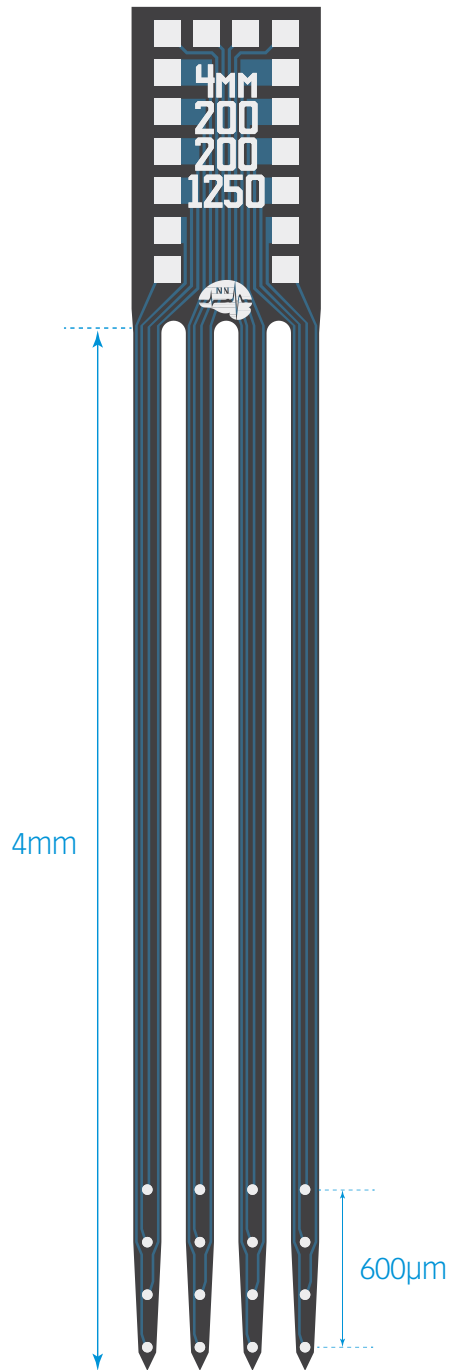
MR-COMPATIBLE

MR_CM16
MR_H16_21mm
MR_HC16_21mm

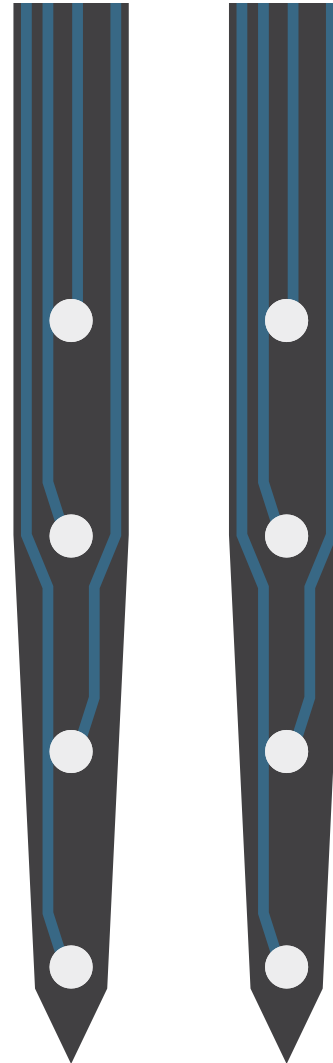
thickness

15 µm

A4x4-4mm-200-200-1250



TIP DETAIL



available packages

ACUTE

A16

CHRONIC

CM16LP
H16_21mm
HC16_21mm
HZ16_21mm
Z16
X3-16
X3-H16_10 mm
X3-H16_21mm

OPTOGENETICS

OA16LP
OCM16LP
OH16LP (required for oDrive)
OZ16LP

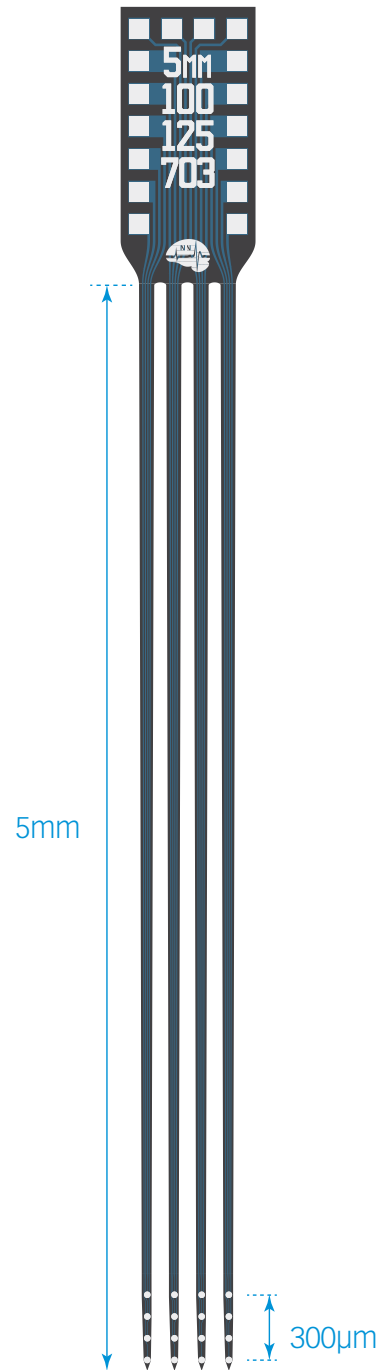
MR-COMPATIBLE

MR_CM16
MR_H16_21mm
MR_HC16_21mm

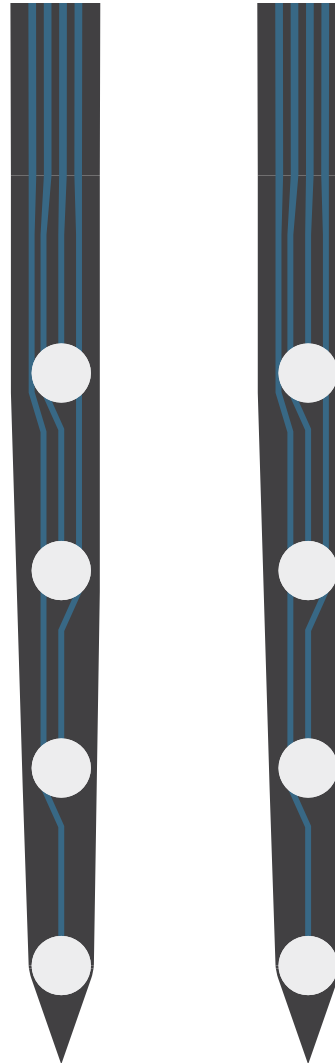
thickness

15 µm
50 µm

A4x4-5mm-100-125-703



TIP DETAIL



available packages

ACUTE

A16

CHRONIC

CM16LP
H16_21mm
HC16_21mm
HZ16_21mm
Z16
X3-16
X3-H16_10 mm
X3-H16_21mm

OPTOGENETICS

OA16LP
OCM16LP
OH16LP (required for oDrive)
OZ16LP

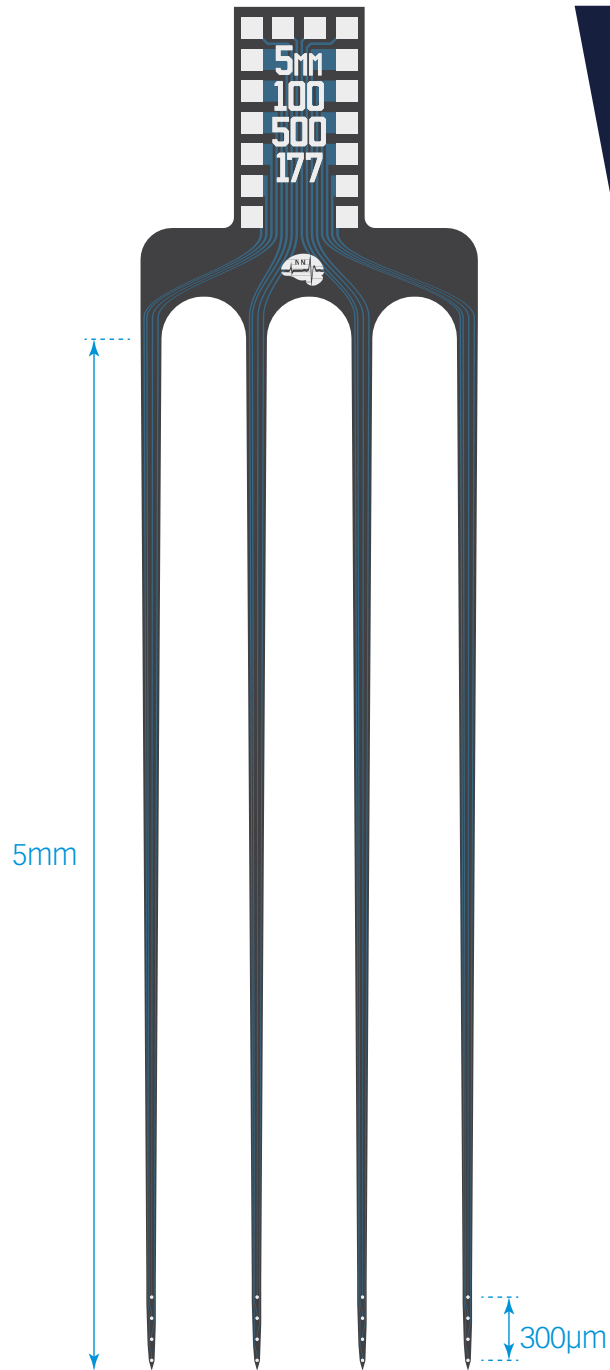
MR-COMPATIBLE

MR_CM16
MR_H16_21mm
MR_HC16_21mm

thickness

15 µm

A4x4-5mm-100-500-177



TIP DETAIL



available packages

ACUTE

A16

CHRONIC

CM16LP
H16_21mm
HC16_21mm
HZ16_21mm
Z16
X3-16
X3-H16_10 mm
X3-H16_21mm

OPTOGENETICS

OA16LP
OCM16LP
OH16LP (required for oDrive)
OZ16LP

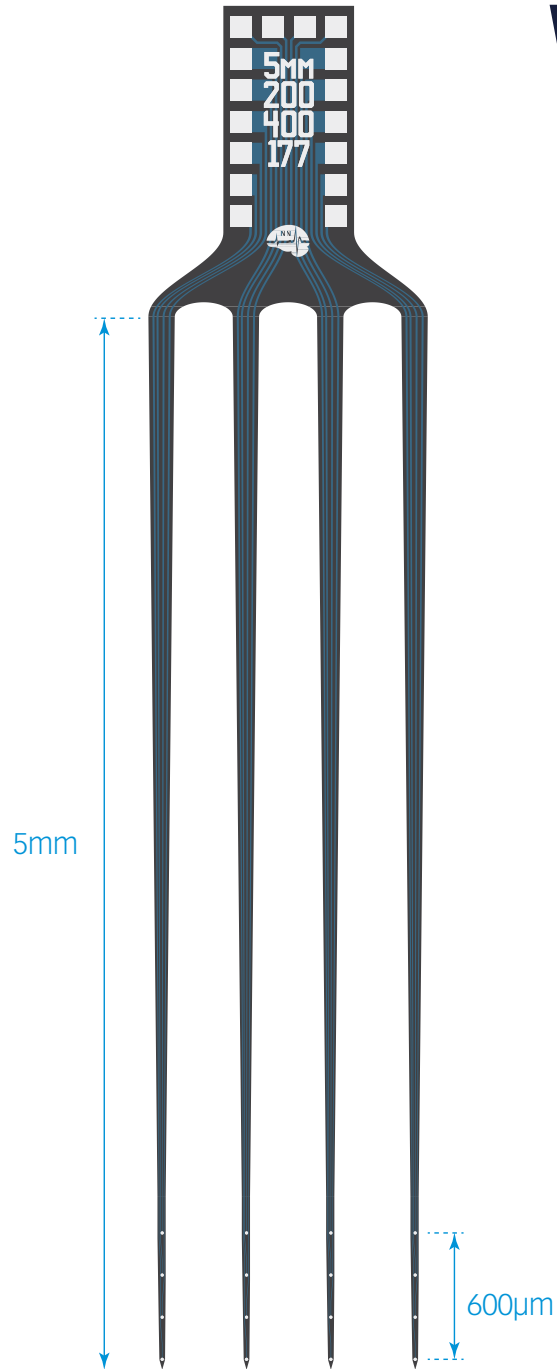
MR-COMPATIBLE

MR_CM16
MR_H16_21mm
MR_HC16_21mm

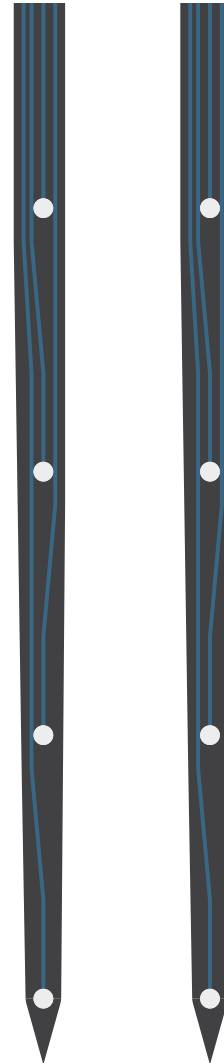
thickness

15 µm

A4x4-5mm-200-400-177



TIP DETAIL



available packages

ACUTE

A16

CHRONIC

CM16LP
H16_21mm
HC16_21mm
HZ16_21mm
Z16
X3-16
X3-H16_10 mm
X3-H16_21mm

OPTOGENETICS

OA16LP
OCM16LP
OH16LP (required for oDrive)
OZ16LP

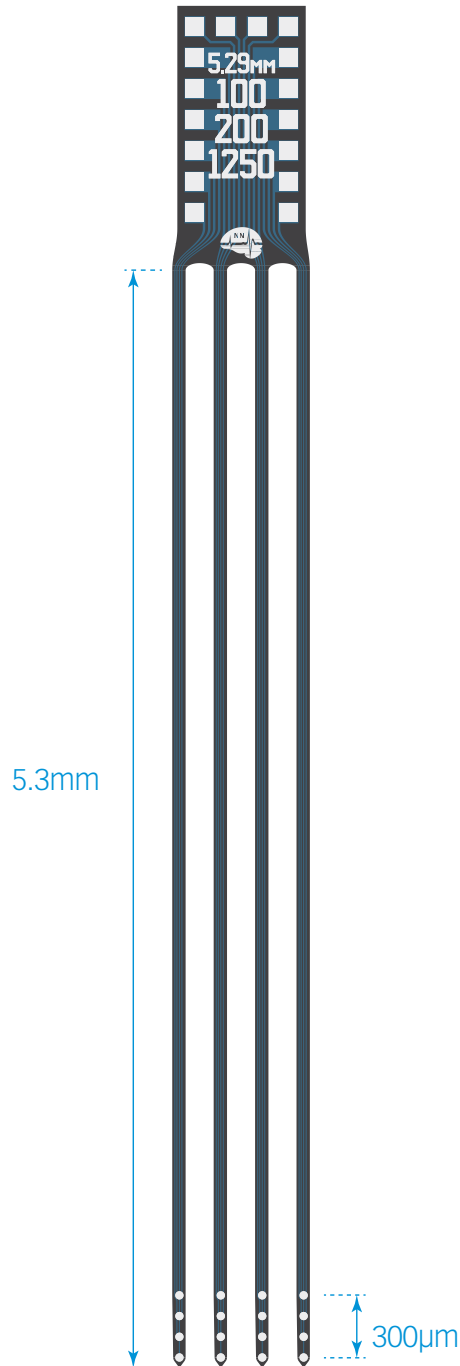
MR-COMPATIBLE

MR_CM16
MR_H16_21mm
MR_HC16_21mm

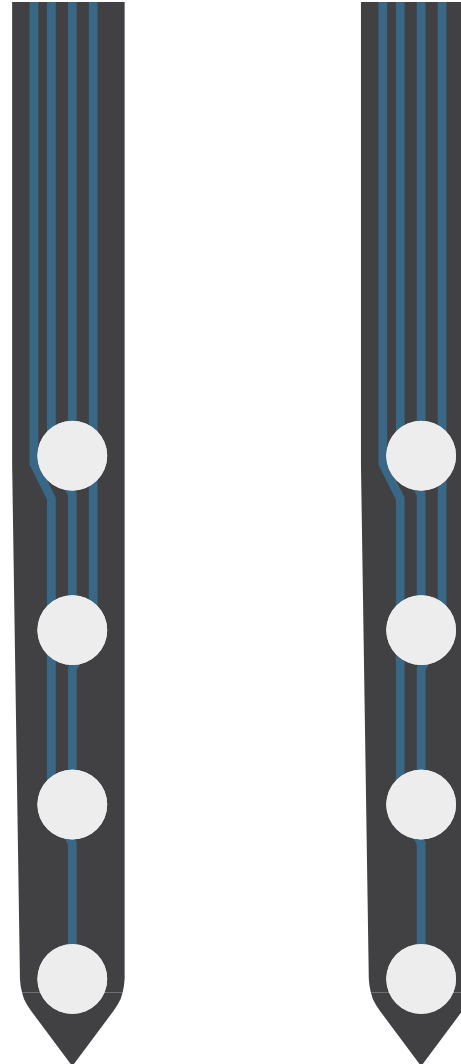
thickness

50 µm

A4x4-5.3mm-100-200-1250



TIP DETAIL



available packages

ACUTE

A16

CHRONIC

CM16LP
H16_21mm
HC16_21mm
HZ16_21mm
Z16
X3-16
X3-H16_10 mm
X3-H16_21mm

OPTOGENETICS

OA16LP
OCM16LP
OH16LP (required for
oDrive)
OZ16LP

MR-COMPATIBLE

MR_CM16
MR_H16_21mm
MR_HC16_21mm

thickness

50 µm

A4x4-10mm-400-500-9000

available packages

ACUTE

A16

CHRONIC

CM16LP
H16_21mm
HC16_21mm
HZ16_21mm
Z16
X3-16
X3-H16_10 mm
X3-H16_21mm

OPTOGENETICS

OA16LP
OCM16LP
OH16LP (required for
oDrive)
OZ16LP

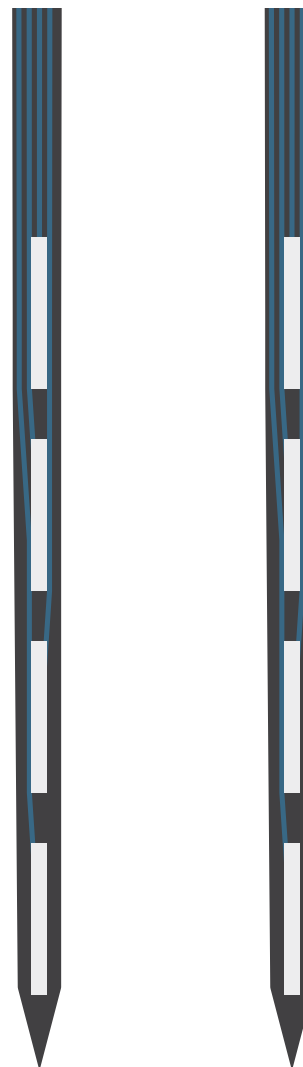
MR-COMPATIBLE

MR_CM16
MR_H16_21mm
MR_HC16_21mm

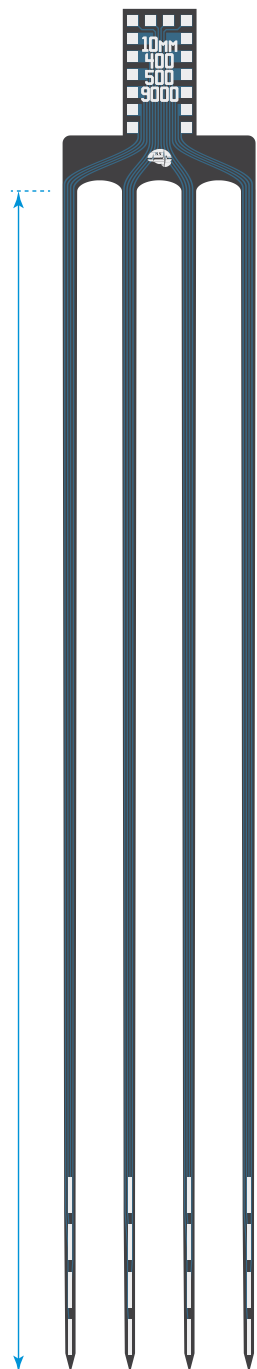
thickness

50 μm

TIP DETAIL

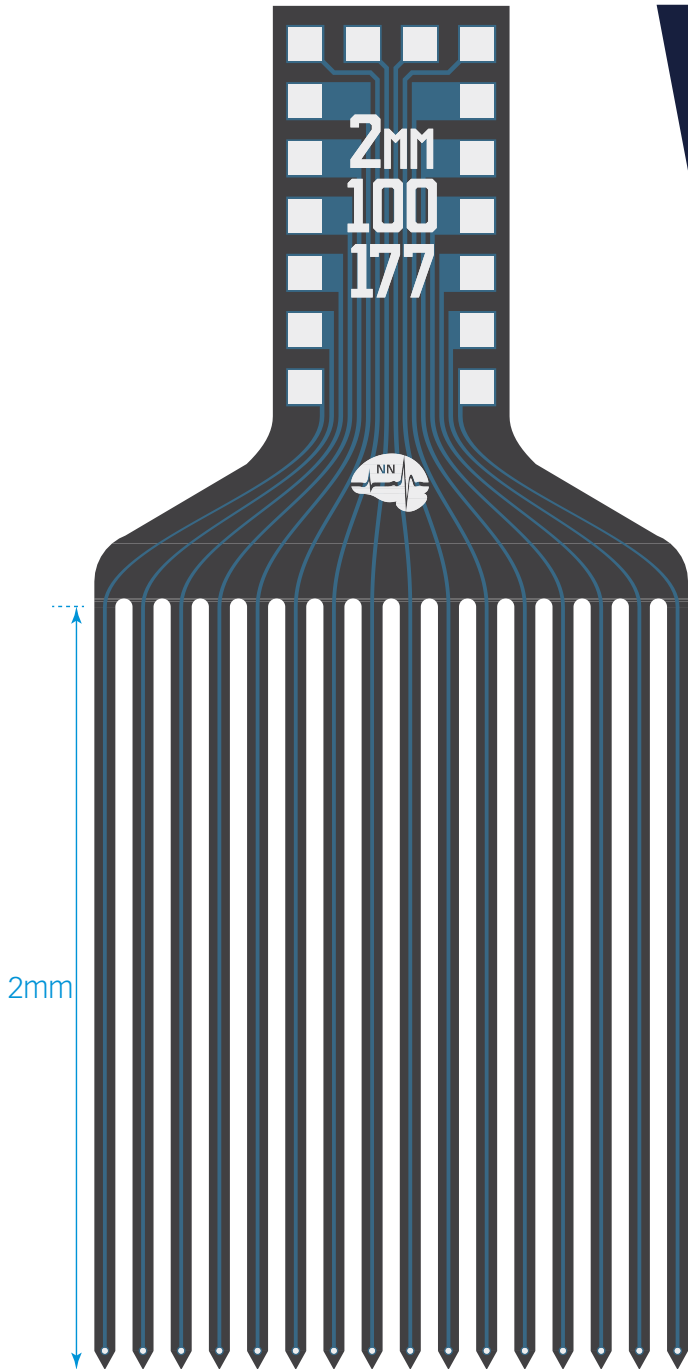


10mm

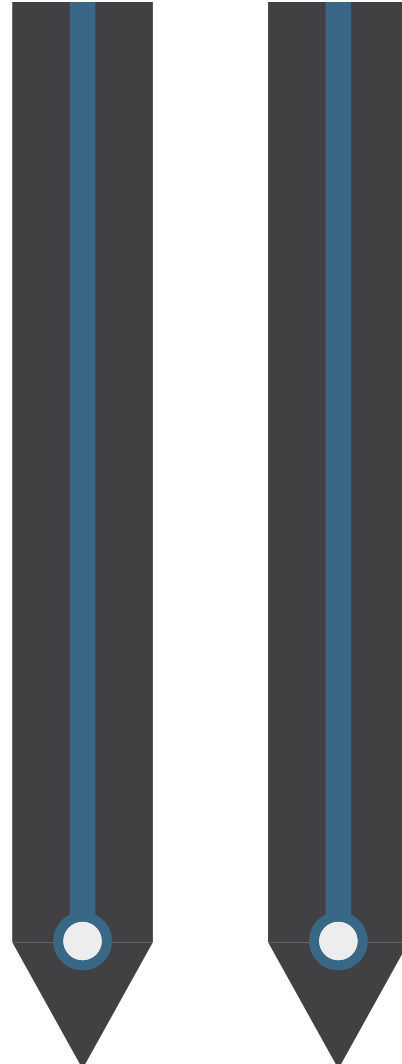


1200 μm

A16x1-2mm-100-177



TIP DETAIL



available packages

ACUTE

A16

CHRONIC

CM16LP
H16_21mm
HC16_21mm
HZ16_21mm
Z16
X3-16
X3-H16_10 mm
X3-H16_21mm

OPTOGENETICS

OA16LP
OCM16LP
OH16LP (required for oDrive)
OZ16LP

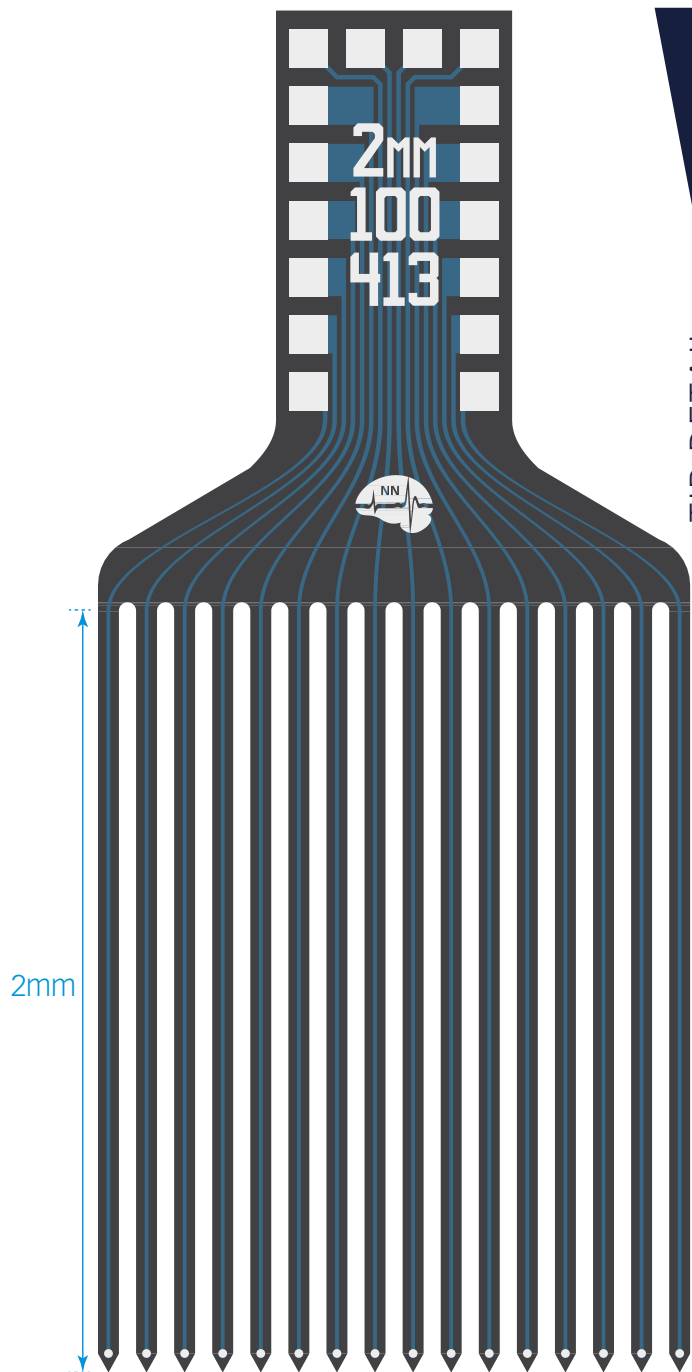
MR-COMPATIBLE

MR_CM16
MR_H16_21mm
MR_HC16_21mm

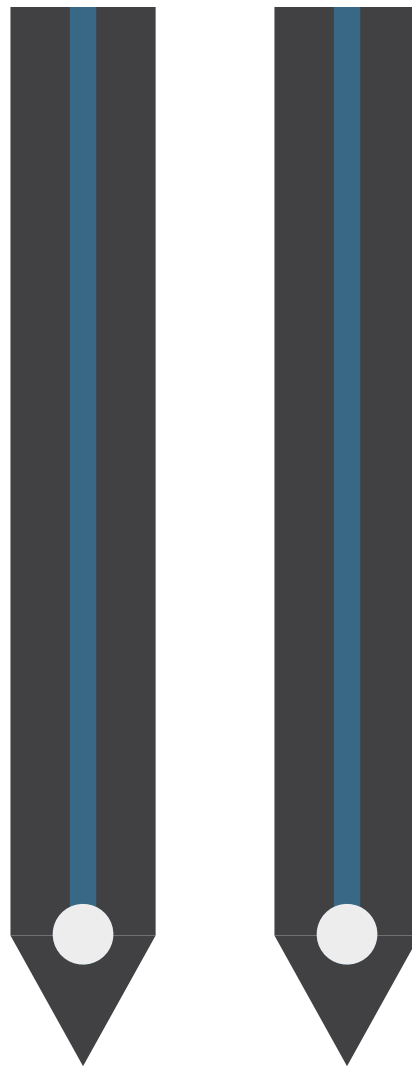
thickness

15 μm
50 μm

A16X1-2mm-100-413



TIP DETAIL



available packages

ACUTE

A16

CHRONIC

CM16LP
H16_21mm
HC16_21mm
HZ16_21mm
Z16
X3-16
X3-H16_10 mm
X3-H16_21mm

OPTOGENETICS

OA16LP
OCM16LP
OH16LP (required for oDrive)
OZ16LP

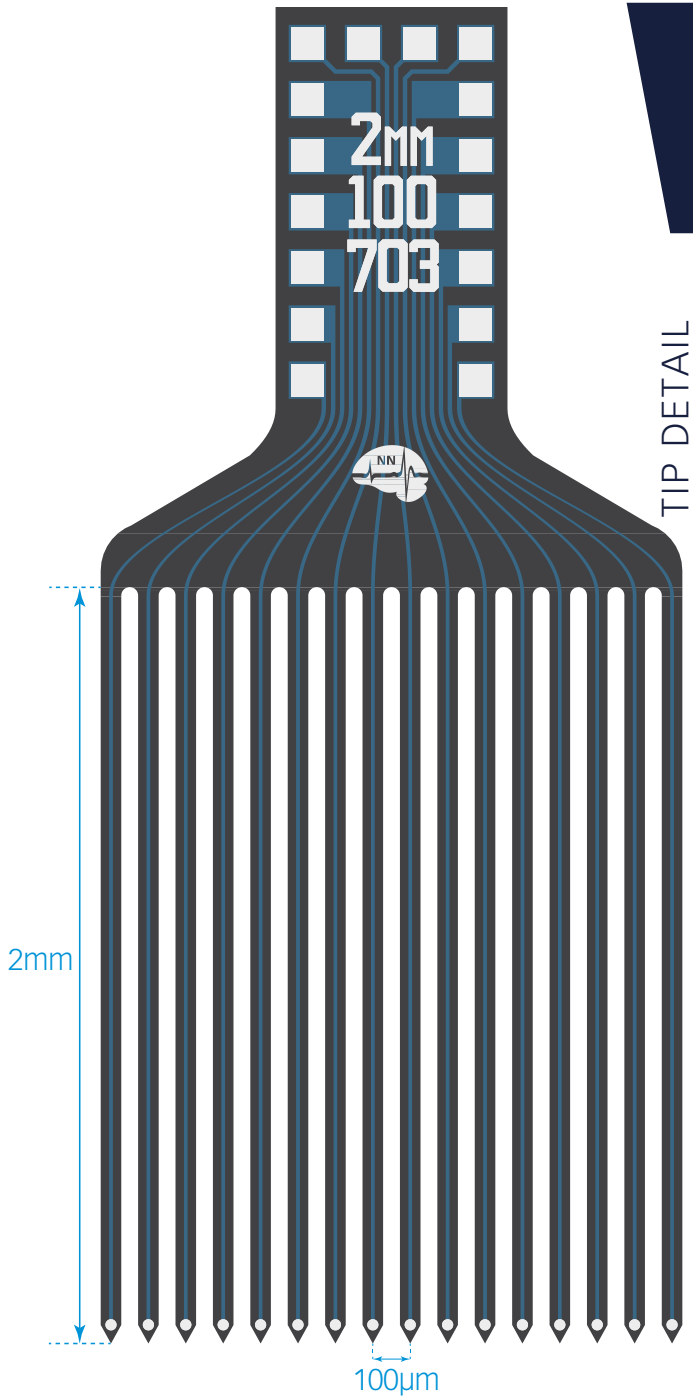
MR-COMPATIBLE

MR_CM16
MR_H16_21mm
MR_HC16_21mm

thickness

15 μ m

A16X1-2mm-100-703



available packages

ACUTE

A16

CHRONIC

CM16LP
H16_21mm
HC16_21mm
HZ16_21mm
Z16
X3-16
X3-H16_10 mm
X3-H16_21mm

OPTOGENETICS

OA16LP
OCM16LP
OH16LP (required for
oDrive)
OZ16LP

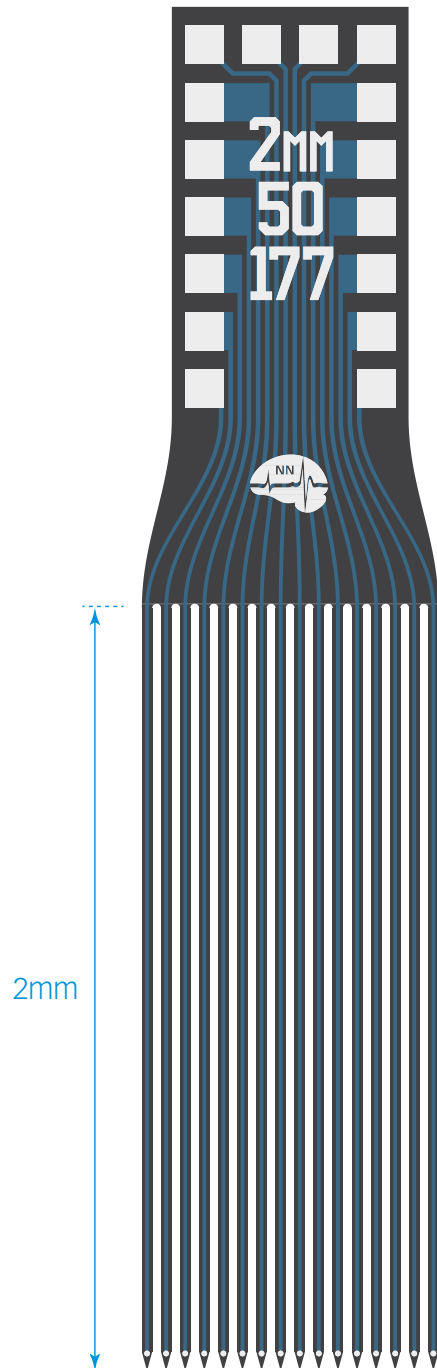
MR-COMPATIBLE

MR_CM16
MR_H16_21mm
MR_HC16_21mm

thickness

15 µm

A16x1-2mm-50-177



TIP DETAIL



available packages

ACUTE

A16

CHRONIC

CM16LP
H16_21mm
HC16_21mm
HZ16_21mm
Z16
X3-16
X3-H16_10 mm
X3-H16_21mm

OPTOGENETICS

OA16LP
OCM16LP
OH16LP (required for oDrive)
OZ16LP

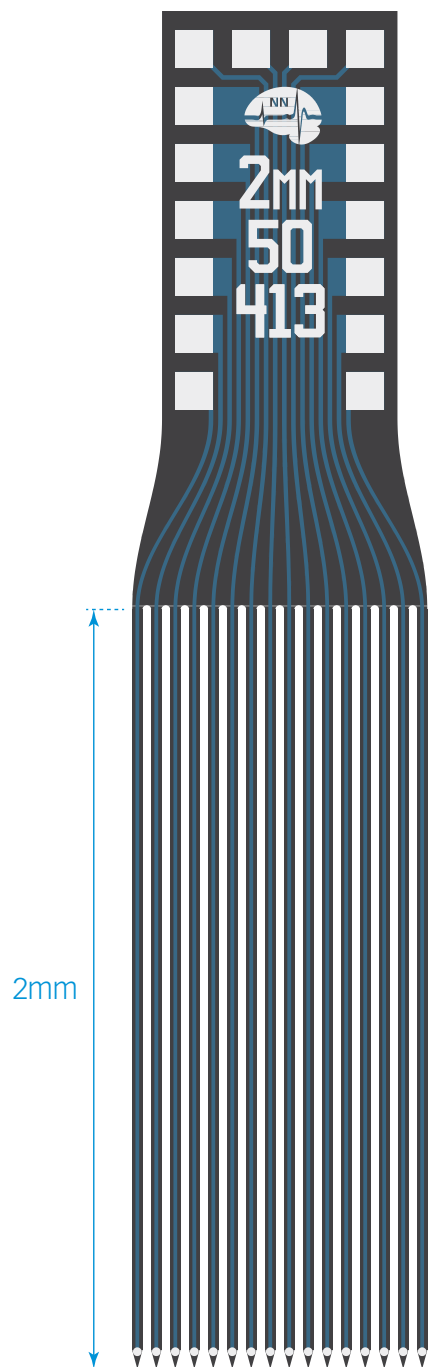
MR-COMPATIBLE

MR_CM16
MR_H16_21mm
MR_HC16_21mm

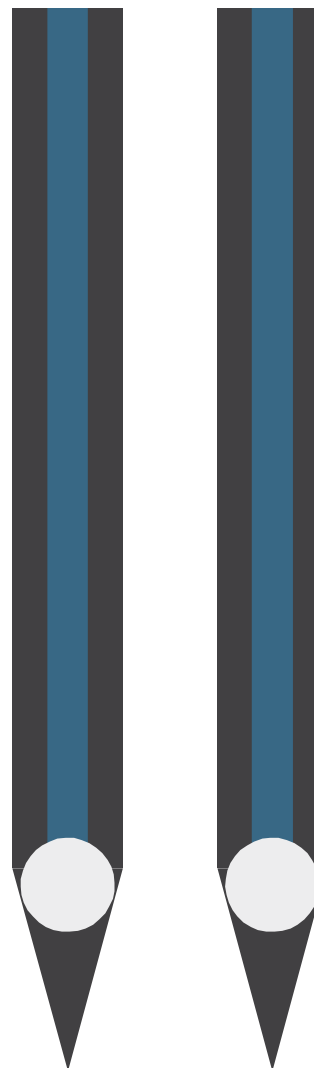
thickness

15 µm
50 µm

A16x1-2mm-50-413



TIP DETAIL



available packages

ACUTE

A16

CHRONIC

CM16LP
H16_21mm
HC16_21mm
HZ16_21mm
Z16
X3-16
X3-H16_10 mm
X3-H16_21mm

OPTOGENETICS

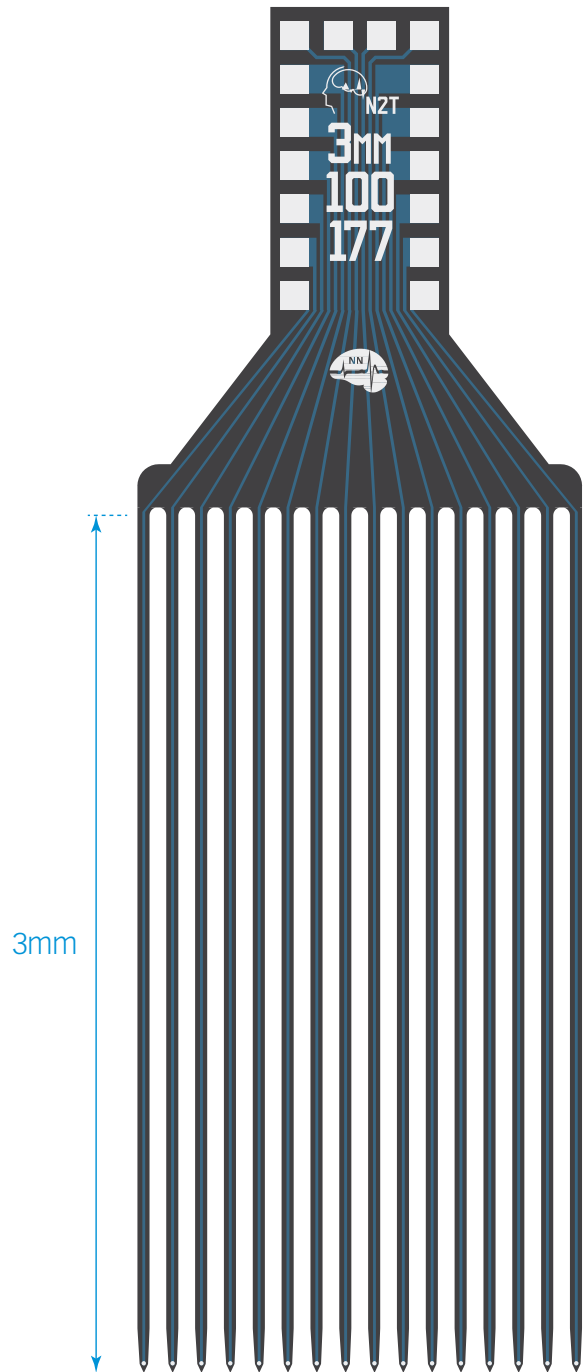
OA16LP
OCM16LP
OH16LP (required for oDrive)
OZ16LP

MR-COMPATIBLE

MR_CM16
MR_H16_21mm
MR_HC16_21mm

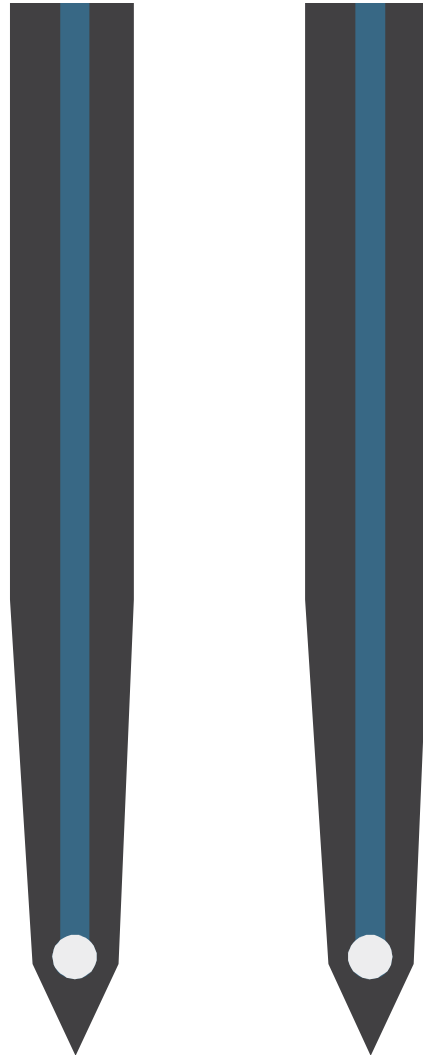
thickness

15 μ m
50 μ m



A16x1-3mm-100-117

TIP DETAIL



available packages

ACUTE
A16

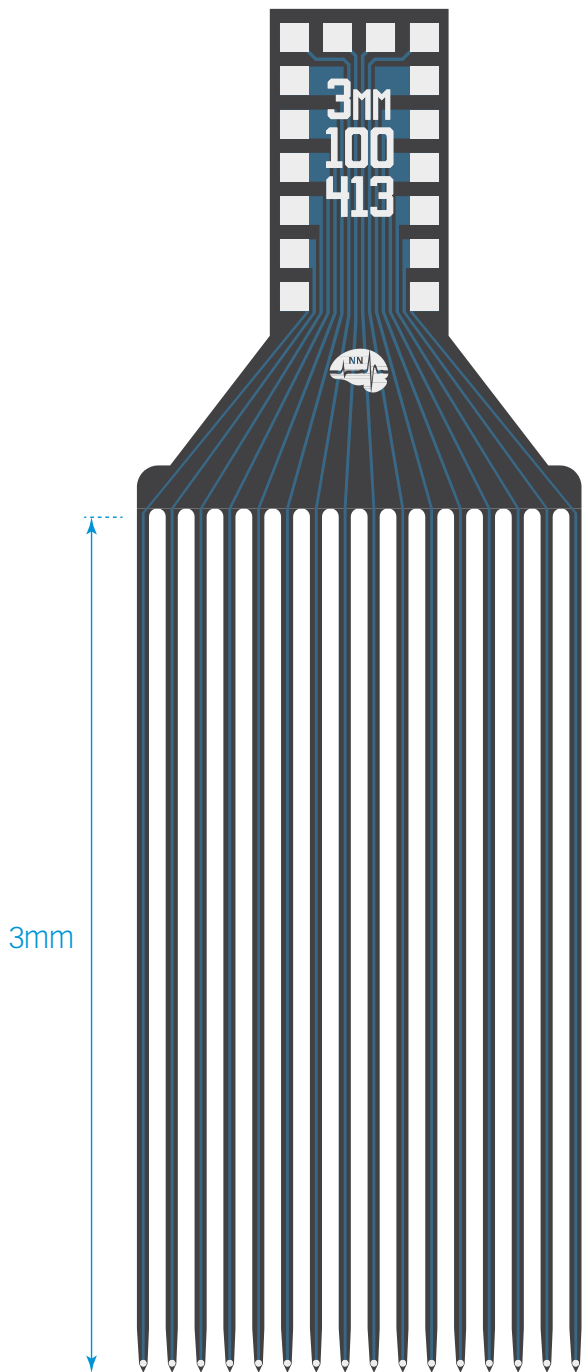
CHRONIC
CM16LP
H16_21mm
HC16_21mm
HZ16_21mm
Z16
X3-16
X3-H16_10 mm
X3-H16_21mm

OPTOGENETICS
OA16LP
OCM16LP
OH16LP (required for oDrive)
OZ16LP

MR-COMPATIBLE
MR_CM16
MR_H16_21mm
MR_HC16_21mm

thickness

15 μ m
50 μ m



TIP DETAIL



A16x1-3mm-100-413

available packages

ACUTE
A16

CHRONIC
CM16LP
H16_21mm
HC16_21mm
HZ16_21mm
Z16
X3-16
X3-H16_10 mm
X3-H16_21mm

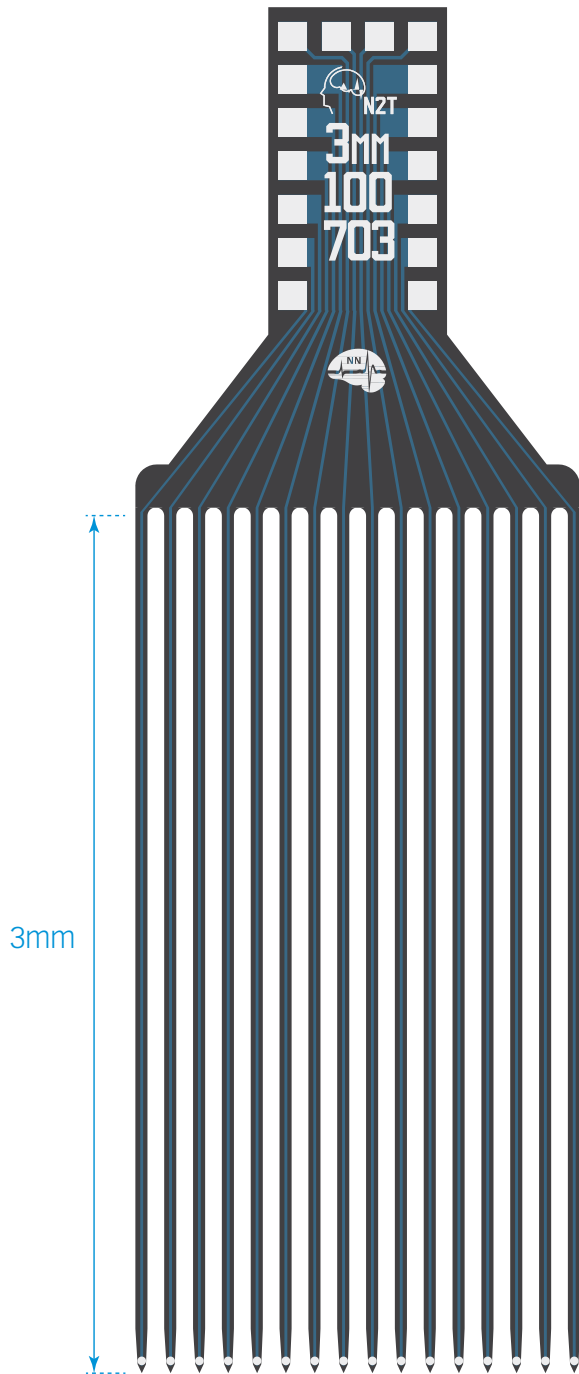
OPTOGENETICS
OA16LP
OCM16LP
OH16LP (required for oDrive)
OZ16LP

MR-COMPATIBLE
MR_CM16
MR_H16_21mm
MR_HC16_21mm

thickness

15 μ m
50 μ m

A16X1-3mm-100-703



TIP DETAIL



available packages

ACUTE

A16

CHRONIC

CM16LP
H16_21mm
HC16_21mm
HZ16_21mm
Z16
X3-16
X3-H16_10 mm
X3-H16_21mm

OPTOGENETICS

OA16LP
OCM16LP
OH16LP (required for
oDrive)
OZ16LP

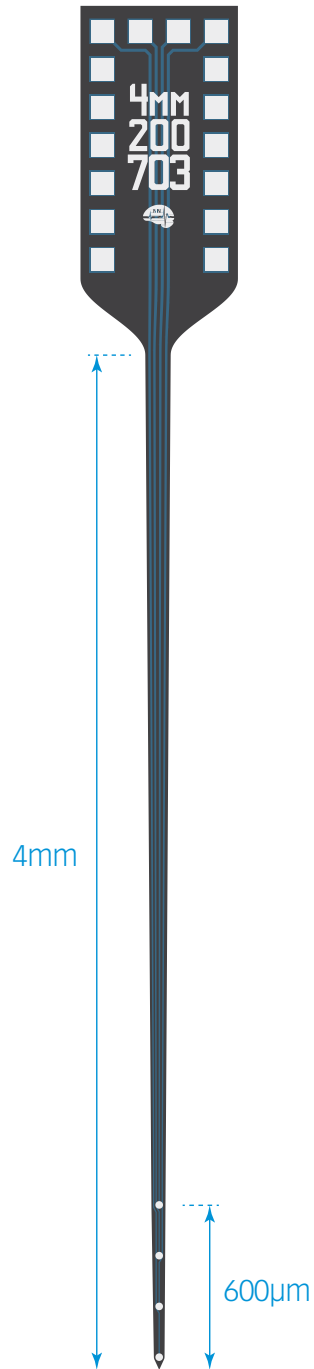
MR-COMPATIBLE

MR_CM16
MR_H16_21mm
MR_HC16_21mm

thickness

15 μm
50 μm

A1x4-4mm-200-703 (Villette)



TIP DETAIL



available packages

ACUTE

A16

CHRONIC

CM16LP
H16_21mm
HC16_21mm
HZ16_21mm
Z16
X3-16
X3-H16_10 mm
X3-H16_21mm

OPTOGENETICS

OA16LP
OCM16LP
OH16LP (required for oDrive)
OZ16LP

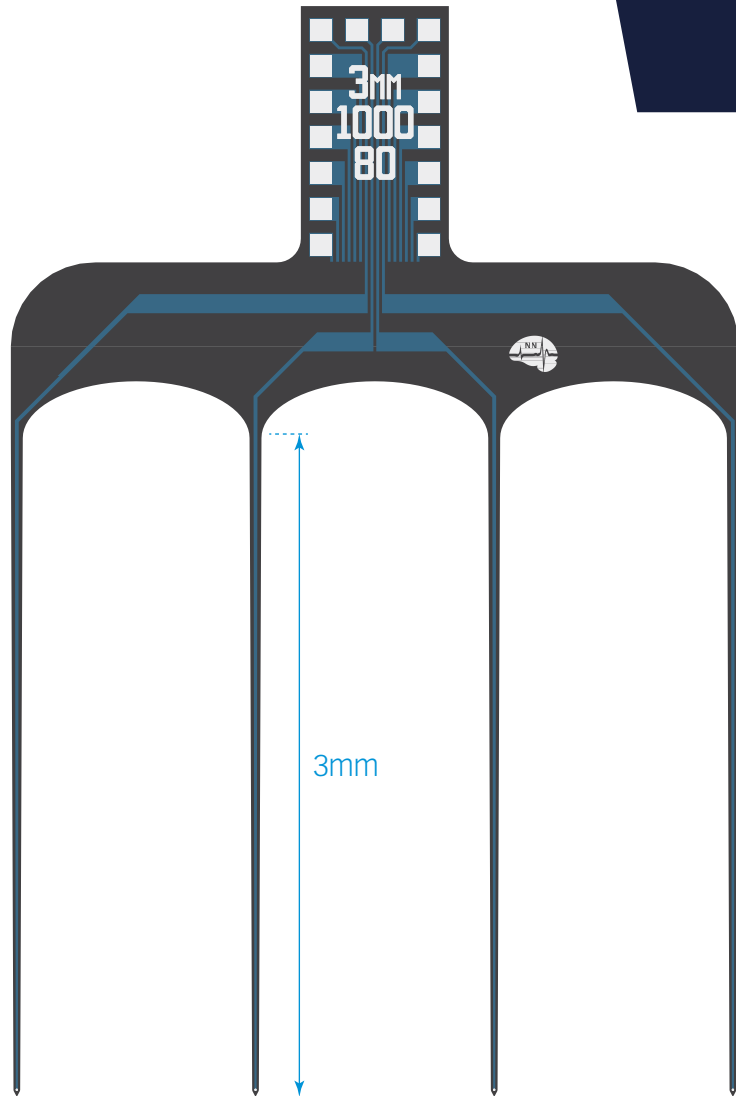
MR-COMPATIBLE

MR_CM16
MR_H16_21mm
MR_HC16_21mm

thickness

15 µm

A4x1-3mm-1000-80



TIP DETAIL



available packages

ACUTE

A16

CHRONIC

CM16LP
H16_21mm
HC16_21mm
HZ16_21mm
Z16
X3-16
X3-H16_10 mm
X3-H16_21mm

OPTOGENETICS

OA16LP
OCM16LP
OH16LP (required for
oDrive)
OZ16LP

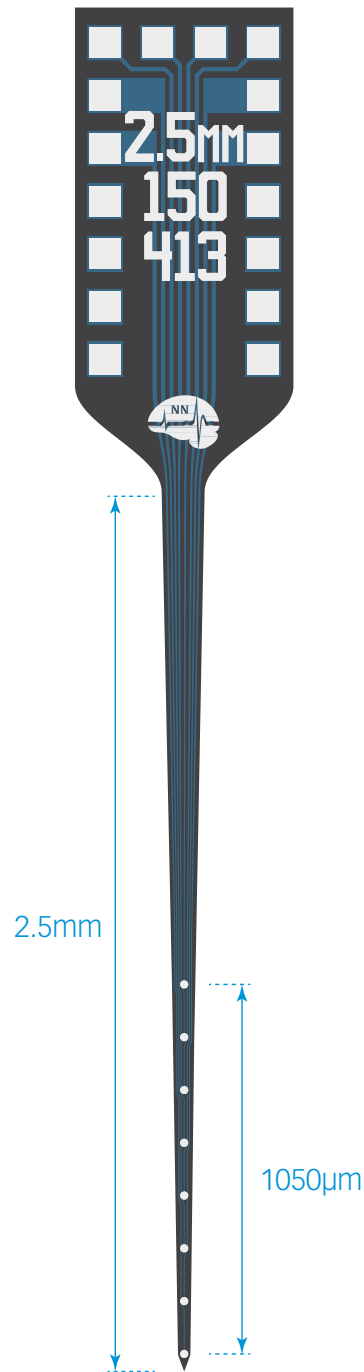
MR-COMPATIBLE

MR_CM16
MR_H16_21mm
MR_HC16_21mm

thickness

15 µm
50 µm

A1x8-2.5mm-150-413



TIP DETAIL



available packages

ACUTE

A16

CHRONIC

CM16LP
H16_21mm
HC16_21mm
HZ16_21mm
Z16
X3-16
X3-H16_10 mm
X3-H16_21mm

OPTOGENETICS

OA16LP
OCM16LP
OH16LP (required for
oDrive)
OZ16LP

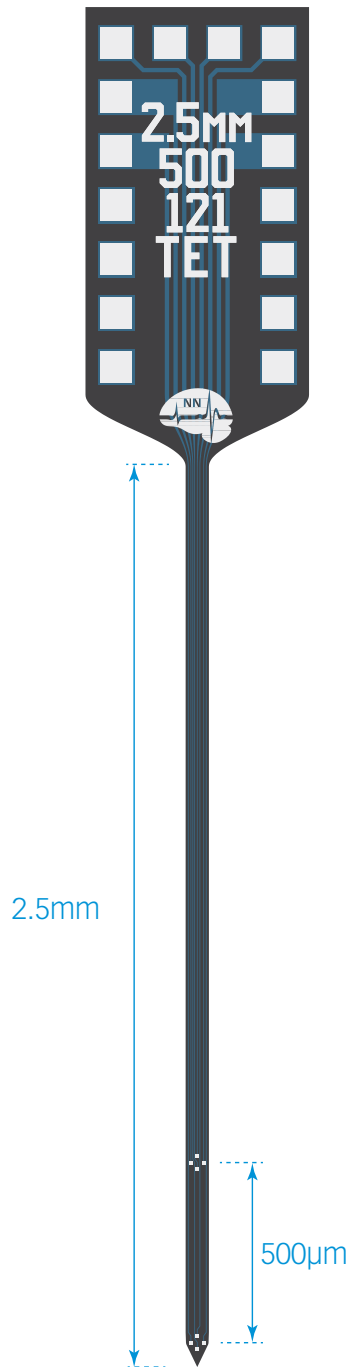
MR-COMPATIBLE

MR_CM16
MR_H16_21mm
MR_HC16_21mm

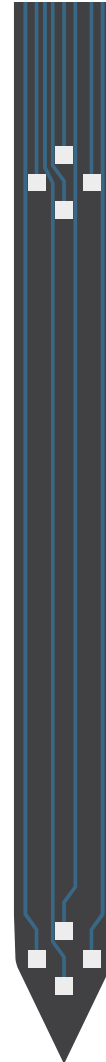
thickness

15 µm

A1x2-tet-2.5mm-500-121



TIP DETAIL



available packages

ACUTE

A16

CHRONIC

CM16LP
H16_21mm
HC16_21mm
HZ16_21mm
Z16
X3-16
X3-H16_10 mm
X3-H16_21mm

OPTOGENETICS

OA16LP
OCM16LP
OH16LP (required for oDrive)
OZ16LP

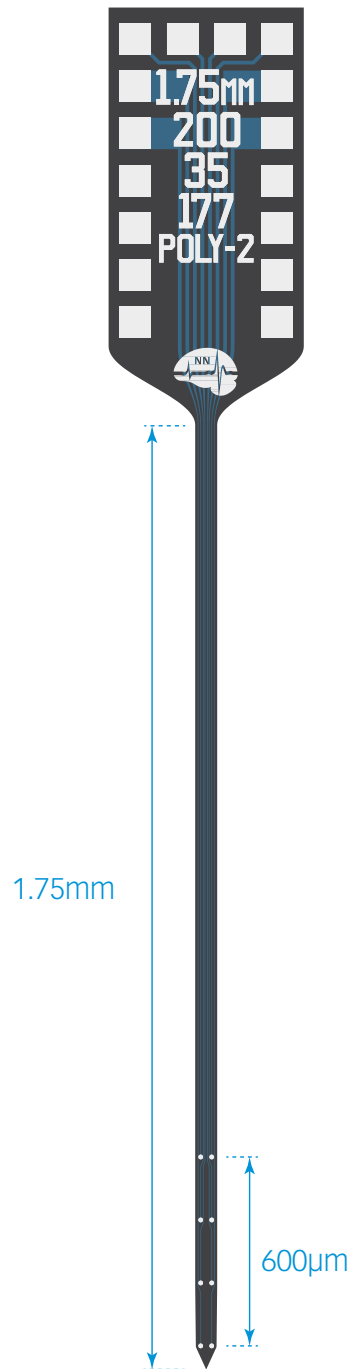
MR-COMPATIBLE

MR_CM16
MR_H16_21mm
MR_HC16_21mm

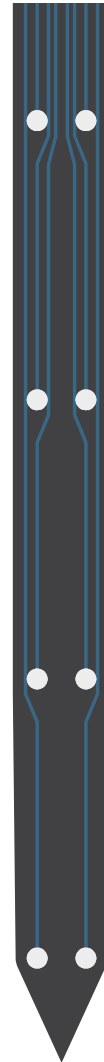
thickness

15 µm

A1x8-Poly2-3mm-200-35-177



TIP DETAIL



available packages

ACUTE

A16

CHRONIC

CM16LP
H16_21mm
HC16_21mm
HZ16_21mm
Z16
X3-16
X3-H16_10 mm
X3-H16_21mm

OPTOGENETICS

OA16LP
OCM16LP
OH16LP (required for oDrive)
OZ16LP

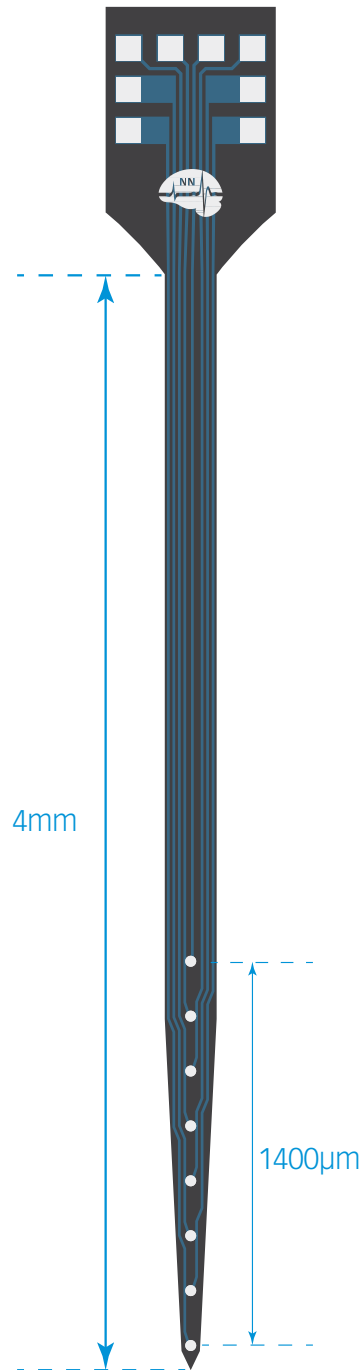
MR-COMPATIBLE

MR_CM16
MR_H16_21mm
MR_HC16_21mm

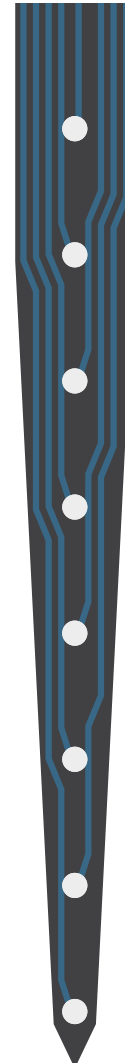
thickness

15 µm

A1x8-4mm-200-1250



TIP DETAIL



available packages

ACUTE

A16

CHRONIC

CM16LP
H16_21mm
HC16_21mm
HZ16_21mm
Z16
X3-16
X3-H16_10 mm
X3-H16_21mm

OPTOGENETICS

OA16LP
OCM16LP
OH16LP (required for oDrive)
OZ16LP

MR-COMPATIBLE

MR_CM16
MR_H16_21mm
MR_HC16_21mm

thickness

15 µm